

LOAD CELL H2A

- H2A load cells are available for manifold accurate measurement in the capacities 1MN to 5MN.
- Alloy steel, surface bluing treatment, spray painted, oil-proof, waterproof and anti-corrosion, suitable for all kinds of environments.
- Spoke type, easy installation, suitable for special measuring equipment.
- It is safety and anti-explosion product that can be used in atrocious weather and hazardous areas .

Important Features

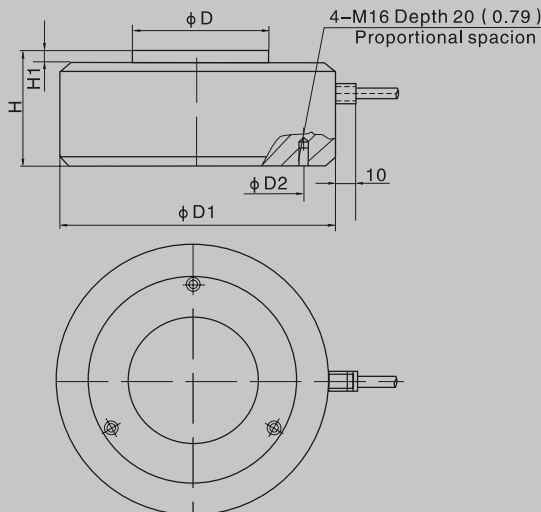
- Capacities: 1MN~5MN.
- High accuracy.
- Alloy steel construction.



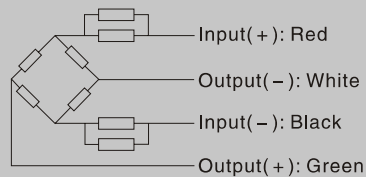
Specifications

Capacity	MN	1/2/3/4/5		
		G1	G2	G3
Accuracy class				
Combined error	(%FS)	0.1%	0.2%	0.3%
Creep	(%FS/30min)	0.05%	0.05%	0.05%
Temperature effect on sensitivity	(%FS/10°C)	0.05%	0.1%	0.2%
Temperature effect on zero	(%FS/10°C)	0.05%	0.1%	0.2%
Output sensitivity	(mv/v)	≥2.0		
Input resistance	(Ω)	1072 ± 5		
Output resistance	(Ω)	1050 ± 5		
Insulation resistance	(MΩ)	≥5000(50VDC)		
Zero balance	(%FS)	1.0		
Temperature, compensated	(°C)	-10 ~ +40		
Temperature, allowed	(°C)	-35 ~ +65		
Excitation, Recommended	(V)	5 ~ 12(DC)		
Excitation, Max	(V)	18(DC)		
Safe overload	(%FS)	120		
Ultimate overload	(%FS)	150		

Outline Dimension mm (inch)



Capacity	100	200	300	400	500
D	59 (2.32)	78 (3.07)	91 (3.58)	110 (4.33)	133 (5.24)
D1	260 (10.24)	290 (11.42)	330 (12.99)	400 (15.75)	400 (15.75)
D2	200 (7.87)	225 (8.86)	251 (9.88)	296 (11.65)	307 (12.09)
H	80 (3.15)	104 (4.09)	123 (4.84)	132 (5.20)	132 (5.20)
H1	10 (0.39)	10 (0.39)	10 (0.39)	10 (0.39)	10 (0.39)



Wiring:

- Adopt shielded, 4 conductor cable: φ 5mm.
- Standard cable length: 5m.
- Cable type and cable length for customer's own application are available on request.

LOAD CELL H2D

- H2D load cells are available for manifold accurate measurement in the capacities 5t to 20t.
- Alloy steel, sealed by adhesive, oil-proof, waterproof and anti-corrosion, suitable for all kinds of environments.
- Spoke type, easy for installation, suitable for crane scale, hopper scale and other electronic weighing devices.
- It is safety and anti-explosion product that can be used in atrocious weather and hazardous areas .

Important Features

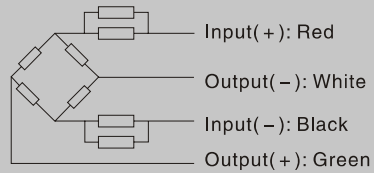
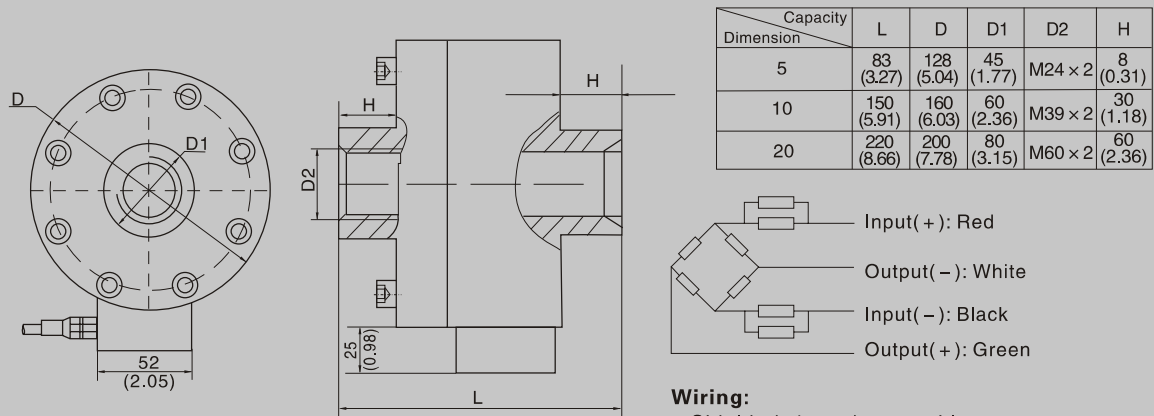
- Capacities: 5t ~ 20t.
- High accuracy.
- Alloy steel construction.
- Low profile and nice exterior.



Specifications

Capacity	t	5/10/20		
		C1	C2	C3
Accuracy class				
Maximum number of verification intervals	Π_{max}	1000	2000	3000
Minimum load cell verification interval	V_{min}	$E_{max}/3000$	$E_{max}/5000$	$E_{max}/7500$
Combined error	(%FS)	$\leq \pm 0.050$	$\leq \pm 0.030$	$\leq \pm 0.020$
Creep	(%FS/30min)	$\leq \pm 0.038$	$\leq \pm 0.023$	$\leq \pm 0.016$
Temperature effect on sensitivity	(%FS/10°C)	$\leq \pm 0.028$	$\leq \pm 0.017$	$\leq \pm 0.011$
Temperature effect on zero	(%FS/10°C)	$\leq \pm 0.047$	$\leq \pm 0.029$	$\leq \pm 0.019$
Output sensitivity	(mv/v)	2.0 ± 0.008		
Input resistance	(Ω)	770 ± 20		
Output resistance	(Ω)	703 ± 4		
Insulation resistance	(M Ω)	$\geq 5000(50VDC)$		
Zero balance	(%FS)	1.0		
Temperature, compensated	(°C)	-10 ~ +40		
Temperature, allowed	(°C)	-35 ~ +65		
Excitation, Recommended	(V)	5 ~ 12(DC)		
Excitation, Max	(V)	18(DC)		
Safe overload	(%FS)	120		
Ultimate overload	(%FS)	150		

Outline Dimension mm (inch)



Wiring:

- Shielded, 4 conductor cable: ϕ 5mm.
- Standard cable length: 5m(5,10t), 10m(20t).
- Cable type and cable length for customer's own application are available on request.

LOAD CELL H2F

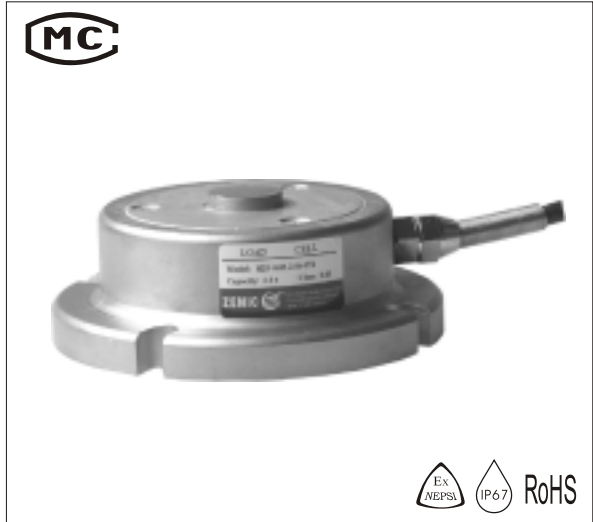
- H2F load cells are available for manifold accurate measurement in the capacities 5t to 20t.
- Alloy steel, sealed by adhesive, oil-proof, waterproof and anti-corrosion, suitable for all kinds of environments.
- Spoke type, easy installation, suitable for electronic truck scale, hopper scale and other electronic weighing devices.
- It is safety and anti-explosion product that can be used in atrocious weather and hazardous areas .

Important Features

- Capacities: 1t~50t.
- High accuracy.
- Alloy steel construction.
- Low profile and nice exterior.

Accessory

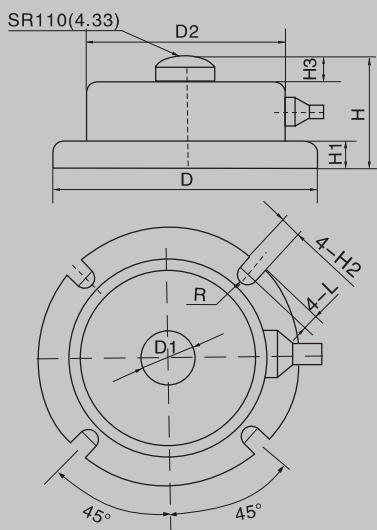
HM-2-401



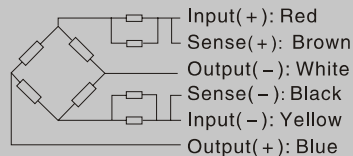
Specifications

Capacity	t	1/2/3/5/10/15/20/30/50		
Accuracy class		C1	C2	C3
Maximum number of verification intervals	η_{max}	1000	2000	3000
Minimum load cell verification interval	V_{min}	Emax/3000	Emax/5000	Emax/7500
Combined error	(%FS)	$\leq \pm 0.050$	$\leq \pm 0.030$	$\leq \pm 0.020$
Creep	(%FS/30min)	$\leq \pm 0.038$	$\leq \pm 0.023$	$\leq \pm 0.016$
Temperature effect on sensitivity	(%FS/10°C)	$\leq \pm 0.028$	$\leq \pm 0.017$	$\leq \pm 0.011$
Temperature effect on zero	(%FS/10°C)	$\leq \pm 0.047$	$\leq \pm 0.029$	$\leq \pm 0.019$
Output sensitivity	(mv/v)	2.0±0.01		
Input resistance	(Ω)	770±30		
Output resistance	(Ω)	700±7		
Insulation resistance	(MΩ)	$\geq 5000(50VDC)$		
Zero balance	(%FS)	1.0		
Temperature, compensated	(°C)	-10 ~ +40		
Temperature, allowed	(°C)	-35 ~ +65		
Excitation, Recommended	(V)	5 ~ 12(DC)		
Excitation, Max	(V)	18(DC)		
Safe overload	(%FS)	120		
Ultimate overload	(%FS)	150		

Outline Dimension mm (inch)



Dimension	D	D1	D2	H	H1	H2	H3	L
Capacity 1.0	115 (4.53)	22 (0.87)	86 (3.39)	43 (1.69)	12 (0.47)	8.4 (0.33)	5 (0.2)	8 (0.31)
2.0	120 (4.72)	26 (1.02)	90 (3.54)	45 (1.77)	12 (0.47)	8.4 (0.33)	5 (0.2)	8 (0.31)
3.0	128 (5.04)	20 (0.79)	100 (3.94)	46 (1.81)	8 (0.31)	10.4 (0.41)	5 (0.2)	7 (0.28)
5.0	128 (5.04)	20 (0.79)	100 (3.94)	46 (1.81)	8 (0.31)	10.4 (0.41)	5 (0.2)	7 (0.28)
10	160 (6.30)	40 (1.57)	120 (4.72)	63 (2.48)	15 (0.59)	10.4 (0.41)	10 (0.39)	10 (0.39)
15	194 (7.64)	42 (1.65)	154 (6.06)	68 (2.68)	20 (0.79)	12.4 (0.49)	10 (0.39)	12 (0.47)
20	220 (8.66)	44 (1.73)	170 (6.69)	73 (2.87)	22 (0.87)	12.4 (0.49)	10 (0.39)	12 (0.47)
30	230 (9.06)	48 (1.89)	188 (7.4)	78 (3.07)	25 (0.98)	12.4 (0.49)	10 (0.39)	12 (0.47)
50	264 (10.39)	52 (2.05)	214 (8.43)	90 (3.54)	30 (1.18)	12.4 (0.49)	10 (0.39)	12 (0.47)



Wiring:

- Shielded, 4 conductor cable: $\phi 5mm$.
- Standard cable length : 3m (1 ~ 3t) 4m (5 ~ 10t), 5m (15 ~ 50t).
- Cable type and cable length for customer's own application are available on request.

LOAD CELL H3

- H3 load cells are available in the capacities 25kg to 30t and 100lb to 20Klb.
- Alloy steel, sealed by adhesive, oil-proof, waterproof and anti-corrosion, suitable for all kinds of environments.
- S beam design, tension and/or compression loading possible, easy installation, suitable for crane scale, mechanical conversion scale, hopper scale and other electronic weighing devices.
- It is safety and anti-explosion product that can be used in atrocious weather and hazardous areas .

Important Features

- Capacities: 25kg ~ 30t ; 100lb ~ 20Klb.
- High accuracy.
- Alloy steel construction.
- Low profile and nice exterior.
- With OIML approval: (PTB: D09-03.22).

Accessories

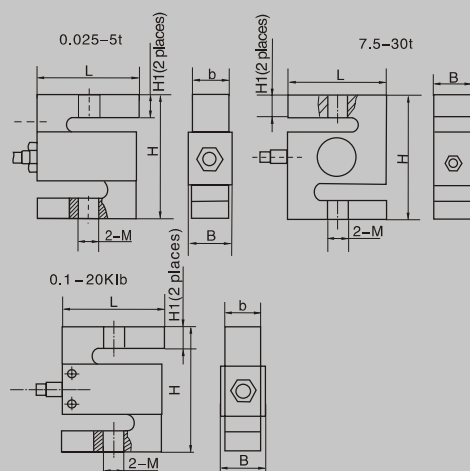
- HL-3-001 • HL-3-002 • HL-3-005
- HL-3-003 • HL-3-004



Specifications

Capacity	t	0.025/0.05/0.1/0.15/0.2/0.25/0.3/0.5/0.6/0.75/1/1.5/2/2.5/3/5/7.5/10/15/20/30						
	lb	100/200/250/300/500/750/1K/1.5K/2K/2.5K/3K/5K/10K/15K/20K						
Accuracy class		C2	C3	C4	A5S	A5M	B10S	B10M
Approvals			OIML R60 C3	OIML R60 C4				
Maximum number of verification intervals	Π_{max}	2000	3000	4000	5000	5000	10000	10000
Minimum load cell verification interval	V_{min}	Emax/5000	Emax/10000	Emax/14000	Emax/15000	Emax/15000	Emax/10000	Emax/10000
Combined error	(%FS)	$\leq \pm 0.030$	$\leq \pm 0.020$	$\leq \pm 0.018$	$\leq \pm 0.018$	$\leq \pm 0.026$	$\leq \pm 0.035$	$\leq \pm 0.050$
Creep	(%FS/30min)	$\leq \pm 0.024$	$\leq \pm 0.016$	$\leq \pm 0.012$	$\leq \pm 0.012$	$\leq \pm 0.017$	$\leq \pm 0.030$	$\leq \pm 0.040$
Temperature effect on sensitivity	(%FS/10°C)	$\leq \pm 0.017$	$\leq \pm 0.011$	$\leq \pm 0.009$	$\leq \pm 0.009$	$\leq \pm 0.013$	$\leq \pm 0.030$	$\leq \pm 0.040$
Temperature effect on zero	(%FS/10°C)	$\leq \pm 0.023$	$\leq \pm 0.015$	$\leq \pm 0.010$	$\leq \pm 0.010$	$\leq \pm 0.014$	$\leq \pm 0.030$	$\leq \pm 0.020$
Output sensitivity	(mv/v)	2.0 \pm 0.004(Metric)			3.0 \pm 0.008(Imperial)			
Input resistance	(Ω)	350 \pm 3.5						
Output resistance	(Ω)	351 \pm 2.0						
Insulation resistance	(M Ω)	\geq 5000(50VDC)						
Zero balance	(%FS)	1.5(Metric)			1.0 (Imperial)			
Temperature, compensated	(°C)	-10 ~ +40						
Temperature, allowed	(°C)	-35 ~ +65						
Excitation, Recommended	(V)	5 ~ 12(DC)						
Excitation, Max	(V)	18(DC)						
Safe overload	(%FS)	120						
Ultimate overload	(%FS)	150						

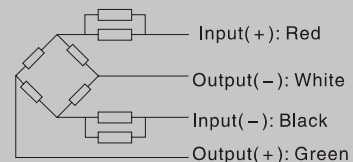
Outline Dimension mm (inch)



Dimension Capacity	L	H	b	B	M	H1
25 ~ 50kg	50.8(2.0)	76.2(3.0)	12.7(0.5)	14.5(0.57)	M8	15.7(0.62)
0.1 ~ 0.15t	50.8(2.0)	76.2(3.0)	19.0(0.75)	20.8(0.82)	M10 x 1.5	15.3(0.60)
0.2 ~ 0.75t	50.8(2.0)	76.2(3.0)	19.0(0.75)	20.8(0.82)	M12 x 1.75	13.6(0.54)
1 ~ 1.5t	50.8(2.0)	76.2(3.0)	25.4(1.0)	27.2(1.07)	M12 x 1.75	12.1(0.48)
2 ~ 5t	76.2(3.0)	101.6(4.0)	25.4(1.0)	27.2(1.07)	M20 x 1.5	20(0.79)
7.5 ~ 10t	125(4.92)	175(6.89)	50(1.97)	/	M33 x 3	40.2(1.58)
15 ~ 20t	160(6.3)	200(7.89)	60(2.36)	/	M42 x 3	51(2.01)
30t	190(7.48)	230(9.06)	80(3.15)	/	M42 x 3	57.5(2.26)
100 ~ 300lb	50.8(2.0)	63.5(2.5)	12.7(0.5)	15.9(0.63)	1/4-28UNF	8.9(0.35)
500lb	50.8(2.0)	63.5(2.5)	19.05(0.75)	22.25(0.88)	1/2-20UNF	8.9(0.35)
0.75 ~ 1.5klb	50.8(2.0)	63.5(2.5)	19.05(0.75)	22.25(0.88)	1/2-20UNF	
2 ~ 2.5klb	50.8(2.0)	63.5(2.5)	25.4(1.0)	28.6(1.13)	1/2-20UNF	14(0.55)
3klb	76.2(3.0)	101.6(4.0)	25.4(1.0)	28.6(1.13)	1/2-20UNF	
5 ~ 10klb	76.2(3.0)	101.6(4.0)	25.4(1.0)	28.6(1.13)	3/4-16UNF	15.8(0.62)
15klb	101.6(4.0)	139.7(5.5)	31.75(1.25)	34.95(1.38)	1-14UNS	27.5(1.08)
20klb	127(5.0)	177.8(7.0)	50.8(2.0)	54(2.13)	1 1/4-12UNF	39.9(1.57)

Wiring:

- Shielded, 4 conductor cable: ϕ 5mm.
- Standard cable length: 3m(0.025~0.75t), 6m(1~30t)(0.1~20klb).
- Cable type and cable length for customer's own application are available on request.



LOAD CELL H3C

- H3C load cells are available in the capacities 10t to 20t .
- Alloy steel, sealed by adhesive, oil-proof, waterproof and anti-corrosion, suitable for all kinds of environments.
- S beam design, tension and/or compression loading possible, easy installation.
- Specially designed for crane scale.
- It is safety and anti-explosion product that can be used in atrocious weather and hazardous areas .

Important Features

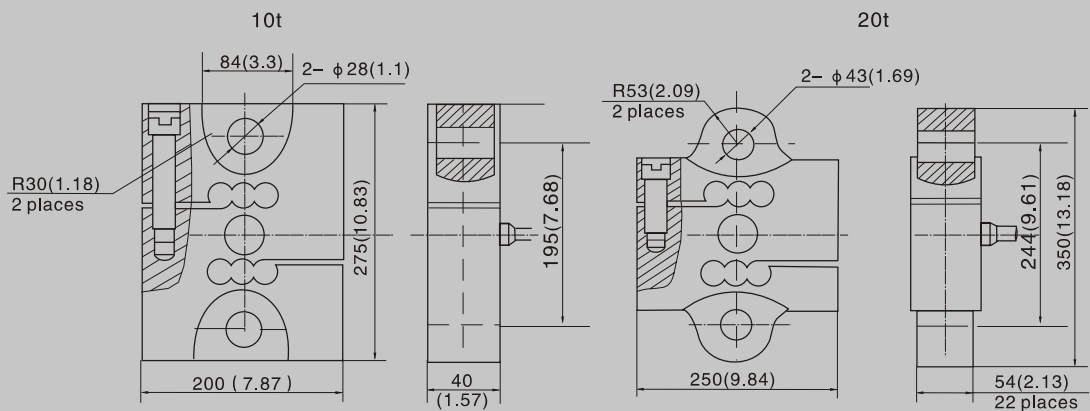
- Capacities: 10t ~ 20t.
- High accuracy.
- Alloy steel construction.
- Low profile and reliable performance.



Specifications

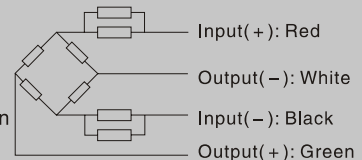
Capacity	t	10/20	
		C2	C3
Accuracy class		C2	C3
Maximum number of verification intervals	n_{max}	2000	3000
Minimum load cell verification interval	V_{min}	$E_{max}/5000$	$E_{max}/10000$
Combined error	(%FS)	≤ 0.030	$\leq \pm 0.020$
Creep	(%FS/30min)	≤ 0.024	$\leq \pm 0.016$
Temperature effect on sensitivity	(%FS/10°C)	≤ 0.017	$\leq \pm 0.011$
Temperature effect on zero	(%FS/10°C)	≤ 0.023	$\leq \pm 0.015$
Output sensitivity	(mv/v)	2.0 ± 0.01	
Input resistance	(Ω)	430 ± 50	
Output resistance	(Ω)	351 ± 2	
Insulation resistance	(MΩ)	$\geq 5000(50VDC)$	
Zero balance	(%FS)	1.5	
Temperature, compensated	(°C)	-10 ~ +40	
Temperature, allowed	(°C)	-35 ~ +65	
Excitation, Recommended	(V)	5 ~ 12(DC)	
Excitation, Max	(V)	18(DC)	
Safe overload	(%FS)	120	
Ultimate overload	(%FS)	150	

Outline Dimension mm (inch)



Wiring:

- Shielded, 4 conductor cable: φ 5mm.
- Standard cable length: 1m.
- Cable type and cable length for customer's own application are available on request.



LOAD CELL H3E

- H3E load cells are available in the capacities 1t to 15t and 2K to 30K.
- Alloy steel, sealed by adhesive, oil-proof, waterproof and anti-corrosion, suitable for all kinds of environments.
- S beam design, tension and/or compression loading possible, easy installation, suitable for crane scale, mechanical conversion scale, hopper scale and other electronic weighing devices.
- It is safety and anti-explosion product that can be used in atrocious weather and hazardous areas .

Important Features

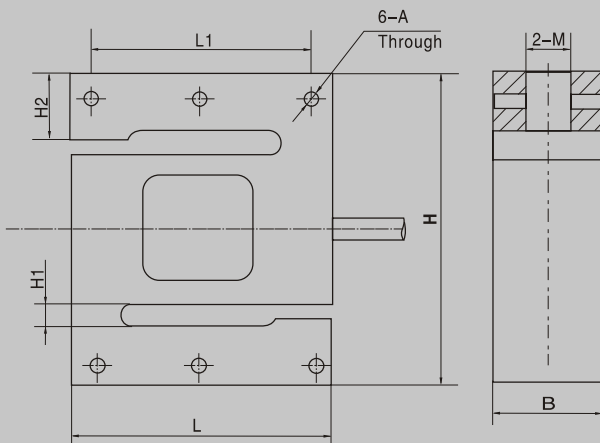
- Capacities: 1t ~ 15t; 2K ~ 30K.
- High accuracy.
- Alloy steel construction.
- Low profile and reliable performance.



Specifications

Capacity	t	1/2/3/5/7.5/10/15	
	lb	2K/4K/10K/15K/20K/30K	
Accuracy class		C2	C3
Maximum number of verification intervals	n_{max}	2000	3000
Minimum load cell verification interval	v_{min}	$E_{max}/5000$	$E_{max}/10000$
Combined error	(%FS)	$\leq \pm 0.030$	$\leq \pm 0.020$
Creep	(%FS/30min)	$\leq \pm 0.024$	$\leq \pm 0.016$
Temperature effect on sensitivity	(%FS/10°C)	$\leq \pm 0.017$	$\leq \pm 0.011$
Temperature effect on zero	(%FS/10°C)	$\leq \pm 0.023$	$\leq \pm 0.015$
Output sensitivity	(mv/v)	2.0 ± 0.002	
Input resistance	(Ω)	410 ± 30	
Output resistance	(Ω)	351 ± 2	
Insulation resistance	(M Ω)	$\geq 5000(50VDC)$	
Zero balance	(%FS)	1.5	
Temperature, compensated	(°C)	$-10 \sim +40$	
Temperature, allowed	(°C)	$-35 \sim +65$	
Excitation, Recommended	(V)	$5 \sim 12(DC)$	
Excitation, Max	(V)	18(DC)	
Safe overload	(%FS)	120	
Ultimate overload	(%FS)	150	

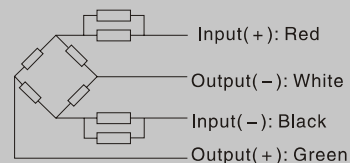
Outline Dimension mm (inch)



Dimension	L	H	B	M	A	L1	H1	H2
Capacity								
1t~5t (2K~10Klb)	70 (2.76)	106 (4.17)	30 (1.18)	M16	M6	50 (1.97)	10.5 (0.41)	28.5 (1.22)
7.5t,10t (15Klb,20Klb)	120 (4.72)	180 (7.09)	50 (1.97)	M30	M8	90 (3.54)	16 (0.59)	57.5(7.5t) (2.26) 59(10t) (2.32)
15t (30Klb)	120 (4.72)	180 (7.09)	50 (1.97)	M30	M8	90 (3.54)	10.5 (0.41)	60.5 (2.38)

Wiring:

- Shielded, 4 conductor cable: ϕ 5mm.
- Standard cable length: 0.5m.
- Cable type and cable length for customer's own application are available on request.



LOAD CELL H3F

- H3F load cells are available in the capacities 0.1t to 5t and 250lb to 20Klb.
- Alloy steel, sealed by adhesive, oil-proof, waterproof and anti-corrosion, suitable for all kinds of environments.
- S beam design, tension and/or compression loading possible, easy for installation, suitable for crane scale, mechanical conversion scale, hopper scales and other electronic weighing devices.
- It is safety and anti-explosion product that can be used in atrocious weather and hazardous areas .

Important Features

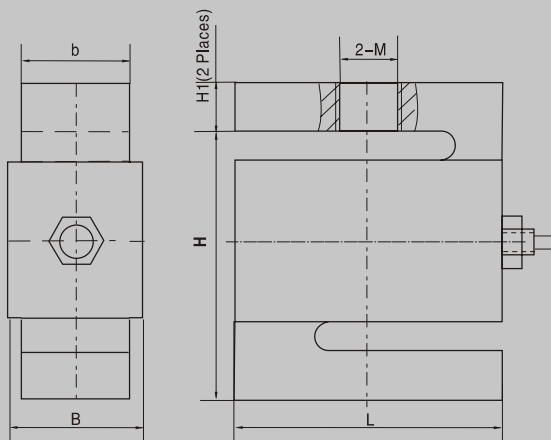
- Capacities: 0.1t ~ 5t; 250lb ~ 20Klb.
- High accuracy.
- Alloy steel construction.
- Low profile and nice exterior.



Specifications

Capacity	t	0.1/0.25/0.5/0.75/1/1.5/2/2.5/5					
	lb	250/500/750/1K/1.5K/2K/2.5K/3K/5K/7.5K/10K/15K/20K					
Accuracy class		C2	C3	A5S	A5M	B10S	B10M
Maximum number of verification intervals	Π_{max}	2000	3000	5000	5000	10000	10000
Minimum load cell verification interval	V_{min}	Emax/5000	Emax/10000	Emax/15000	Emax/15000	Emax/10000	Emax/10000
Combined error	(%FS)	$\leq \pm 0.030$	$\leq \pm 0.02$	$\leq \pm 0.018$	$\leq \pm 0.026$	$\leq \pm 0.035$	$\leq \pm 0.050$
Creep	(%FS/30min)	$\leq \pm 0.024$	$\leq \pm 0.16$	$\leq \pm 0.012$	$\leq \pm 0.017$	$\leq \pm 0.030$	$\leq \pm 0.040$
Temperature effect on sensitivity	(%FS/10°C)	$\leq \pm 0.017$	$\leq \pm 0.011$	$\leq \pm 0.009$	$\leq \pm 0.013$	$\leq \pm 0.030$	$\leq \pm 0.040$
Temperature effect on zero	(%FS/10°C)	$\leq \pm 0.023$	$\leq \pm 0.015$	$\leq \pm 0.010$	$\leq \pm 0.014$	$\leq \pm 0.030$	$\leq \pm 0.020$
Output sensitivity	(mv/v)	3.0 ± 0.008					
Input resistance	(Ω)	350 ± 3.5					
Output resistance	(Ω)	351 ± 2					
Insulation resistance	(MΩ)	≥ 5000(50VDC)					
Zero balance	(%FS)	1.0					
Temperature, compensated	(°C)	-10 ~ +40					
Temperature, allowed	(°C)	-35 ~ +65					
Excitation, Recommended	(V)	5 ~ 12(DC)					
Excitation, Max	(V)	18(DC)					
Safe overload	(%FS)	120					
Ultimate overload	(%FS)	150					

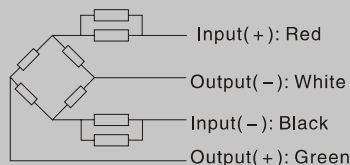
Outline Dimension mm (inch)



Dimension Capacity	L	H	b	B	M
0.1t	50.8 (2.0)	76.2 (3.0)	19.0 (0.75)	25.4 (1.0)	M10 × 1.5
0.25Klb	50.8 (2.0)	76.2 (3.0)	12.7 (0.5)	19.0 (0.75)	3/8-24UNF
0.25~0.75t 0.5~1.5Klb	50.8 (2.0)	76.2 (3.0)	19.0 (0.75)	25.4 (1.0)	M12 × 1.75 1/2-20UNF
1~1.5t (2~3Klb)	50.8 (2.0)	76.2 (3.0)	25.4 (1.0)	31.8 (1.25)	M12 × 1.75 1/2-20UNF
2~5t (5~10Klb)	76.2 (3.0)	108 (4.25)	25.4 (1.0)	31.8 (1.25)	M18 × 1.5 3/4-16UNF
15Klb	100 (3.94)	140 (5.51)	31.8 (1.25)	38.1 (1.5)	1-14UNS
20Klb	125.5 (4.94)	177.8 (7.0)	49.3 (1.94)	50.8 (2.0)	5/4-12UNF

Wiring:

- Shielded, 4 conductor cable: φ 5mm.
- Standard cable length: 6m.
- Cable type and cable length for customer's own application are available on request.



Capacity (t)	0.1	0.25	0.5	0.75	1.0	1.5	2.0	2.5	5.0
H1	15.8 (0.62)	15.12 (0.6)	14.2 (0.56)	13.46 (0.53)	13.24 (0.52)	11.82 (0.47)	26.7 (1.05)	25.48 (1.00)	20.26 (0.80)

Capacity (lb)	250	500	750	1K	1.5K	2K	2.5K	3K	5K	7.5K	10K
H1	15.69 (0.62)	15.25 (0.6)	14.95 (0.59)	14.4 (0.57)	13.75 (0.54)	13.4 (0.53)	13.03 (0.51)	12.39 (0.49)	27.18 (1.07)	25.78 (1.01)	23.88 (0.94)

LOAD CELL B3G

- B3G load cells are available in the capacities 0.05t to 10t and 50lb to 20Klb.
- They offer total stainless steel construction, complete hermetic sealing, oil proof, waterproof and anti-corrosion making them suitable for use in all kinds of environments.
- S beam design, tension and/or compression loading possible, easy installation and flexible application. It is suitable for hanging scale, mechanical conversion scale, hopper scale and other electronic weighing devices.
- It is safety and anti-explosion product that can be used in atrocious weather and hazardous areas .

Important Features

- Capacities: 0.05t ~ 10t; 50lb ~ 20Klb.
- High accuracy.
- Stainless steel construction.
- Low profile and nice exterior.
- With OIML approval: (PTB: D09-06.07) .

Accessories:

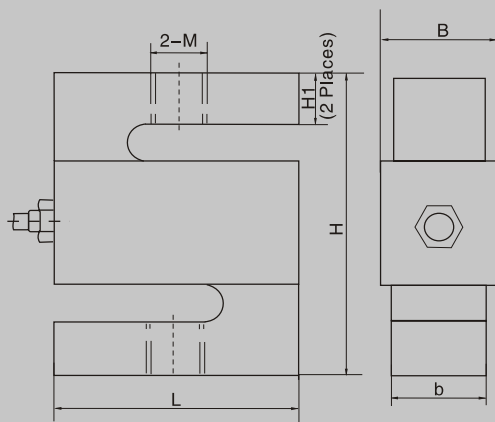
- HL-3-001
- HL-3-002
- HL-3-003
- HL-3-004
- HL-3-005



Specifications

Capacity	t	0.05/0.1/0.25/0.5/1/2.5/5/7.5/10					
	lb	50/75/100/150/200/300/500/750/1K/1.5K/2K/2.5K/3K/5K//10K/15K/20K					
Accuracy class		C2	C3	A5S	A5M	B10S	B10M
Approvals			OIML R60 C3	III 5000 Single	III 5000 Multiford	III L10000 Single	III L1000 Multiford
Maximum number of verification intervals	n_{max}	2000	3000	5000	5000	10000	10000
Minimum load cell verification interval	V_{min}	$E_{max}/5000$	$E_{max}/10000$	$E_{max}/15000$	$E_{max}/15000$	$E_{max}/10000$	$E_{max}/10000$
Combined error	(%FS)	≤ 0.030	$\leq \pm 0.020$	$\leq \pm 0.018$	$\leq \pm 0.026$	$\leq \pm 0.035$	$\leq \pm 0.050$
Creep	(%FS/30min)	≤ 0.024	$\leq \pm 0.016$	$\leq \pm 0.012$	$\leq \pm 0.017$	$\leq \pm 0.030$	$\leq \pm 0.040$
Temperature effect on sensitivity	(%FS/10°C)	≤ 0.017	$\leq \pm 0.011$	$\leq \pm 0.009$	$\leq \pm 0.013$	$\leq \pm 0.030$	$\leq \pm 0.040$
Temperature effect on zero	(%FS/10°C)	≤ 0.023	$\leq \pm 0.015$	$\leq \pm 0.010$	$\leq \pm 0.014$	$\leq \pm 0.030$	$\leq \pm 0.020$
Output sensitivity	(mv/v)	3.0 ± 0.008					
Input resistance	(Ω)	430 ± 50					
Output resistance	(Ω)	351 ± 2					
Insulation resistance	(MΩ)	$\geq 5000(50VDC)$					
Zero balance	(%FS)	1.0					
Temperature, compensated	(°C)	-10 ~ +40					
Temperature, allowed	(°C)	-35 ~ +65					
Excitation, Recommended	(V)	5 ~ 12(DC)					
Excitation, Max.	(V)	18(DC)					
Safe overload	(%FS)	120					
Ultimate overload	(%FS)	150					

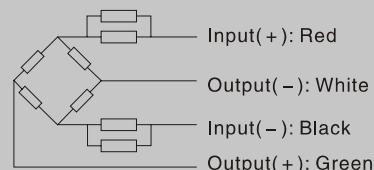
Outline Dimension mm (inch)



Dimension	L	H	b	B	M	H1
Capacity						
50kg,100kg (50lb ~ 300lb)	50.8 (2.0)	63.5 (2.5)	12.7 (0.5)	16.08 (0.63)	M8 (1/4-28UNF)	10.16 (0.4)
250kg,500kg (500lb ~ 1.5Klb)	50.8 (2.0)	63.5 (2.5)	19.05 (0.75)	22.43 (0.88)	M12 (1/2-20UNF)	
1t (2, 2.5Klb)	50.8 (2.0)	63.5 (2.5)	25.4 (1.0)	28.78 (1.13)	M12 (1/2-20UNF)	15.24 (0.6)
2.5t (3Klb)	50.8 (2.0)	101.6 (4.0)	25.4 (1.0)	28.78 (1.13)	M20 × 1.5 (1/2-20UNF)	
5t 5K,10Klb	76.2 (3.0)	101.6 (4.0)	25.4 (1.0)	28.78 (1.13)	M20 × 1.5 (3/4-16UNF)	20 (0.79)
7.5t (15Klb)	101.6 (4.0)	139.7 (5.5)	31.75 (1.25)	35.13 (1.38)	M24 × 2 (1-14UNS)	31 (1.22)
10t 20Klb	127 (5.0)	177.8 (7.0)	50.8 (2.0)	54.18 (2.13)	M30 × 2 1 1/4-12UNF	39.9 (1.57)

Wiring:

- Shielded, 4 conductor cable: Φ5 mm.
- Standard cable length: 3m.
- Cable type and cable length for customer's own application are available on request.



LOAD CELL H3G

- H3G load cells are available in the capacities 0.05t to 7.5t and 50lb to 20Klb.
- Alloy steel, sealed by adhesive, oil-proof, waterproof and anti-corrosion, suitable for all kinds of environments.
- S beam design, tension and/or compression loading possible, easy for installation, suitable for crane scale, mechanical conversion scale, hopper scales and other electronic weighing devices.
- It is safety and anti-explosion product that can be used in atrocious weather and hazardous areas .

Important Features

- Capacities: 0.05t ~ 7.5t; 50lb ~ 20Klb.
- High accuracy.
- Alloy steel construction.
- Low profile and nice exterior.

Accessories:

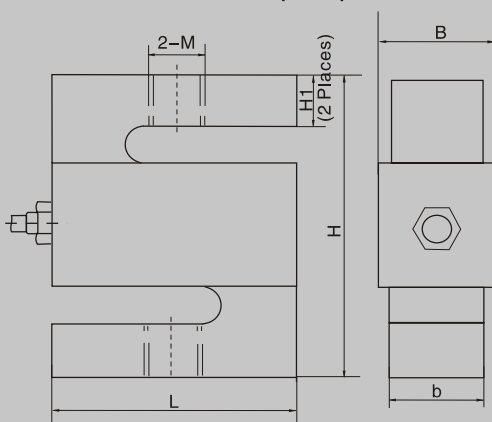
- HL-3-001
- HL-3-002
- HL-3-003
- HL-3-004
- HL-3-005



Specifications

Capacity	t lb	0.05/0.1/0.25/0.5/1/2.5/5/7.5					
		50/75/100/150/200/300/500/750/1K/1.5K/2K/2.5K/3K/5K/10K/15K/20K					
Accuracy class		C2	C3	A5S	A5M	B10S	B10M
Maximum number of verification intervals	η_{max}	2000	3000	5000	5000	10000	10000
Minimum load cell verification interval	V_{min}	$E_{max}/5000$	$E_{max}/10000$	$E_{max}/15000$	$E_{max}/15000$	$E_{max}/10000$	$E_{max}/10000$
Combined error	(%FS)	≤ 0.030	$\leq \pm 0.020$	$\leq \pm 0.018$	$\leq \pm 0.026$	$\leq \pm 0.035$	$\leq \pm 0.050$
Creep	(%FS/30min)	≤ 0.024	$\leq \pm 0.016$	$\leq \pm 0.012$	$\leq \pm 0.017$	$\leq \pm 0.030$	$\leq \pm 0.040$
Temperature effect on sensitivity	(%FS/10°C)	≤ 0.017	$\leq \pm 0.011$	$\leq \pm 0.009$	$\leq \pm 0.013$	$\leq \pm 0.030$	$\leq \pm 0.040$
Temperature effect on zero	(%FS/10°C)	≤ 0.023	$\leq \pm 0.015$	$\leq \pm 0.010$	$\leq \pm 0.014$	$\leq \pm 0.030$	$\leq \pm 0.020$
Output sensitivity	(mv/v)	3.0 ± 0.008					
Input resistance	(Ω)	430 ± 50					
Output resistance	(Ω)	351 ± 2					
Insulation resistance	(MΩ)	≥ 5000(50VDC)					
Zero balance	(%FS)	1.0					
Temperature, compensated	(°C)	-10 ~ +40					
Temperature, allowed	(°C)	-35 ~ +65					
Excitation, Recommended	(V)	5 ~ 12(DC)					
Excitation, Max.	(V)	18(DC)					
Safe overload	(%FS)	120					
Ultimate overload	(%FS)	150					

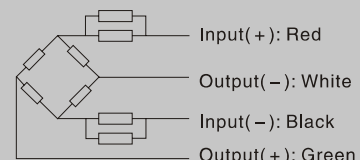
Outline Dimension mm (inch)



Capacity	L	H	b	B	M	H1
50Kg, 100Kg	50.8	63.5	12.7	16.5	M8	10.2 (0.40)
50lb~300lb	(2.0)	(2.5)	(0.5)	(0.65)	1/4-28UNF	
250kg, 500kg	50.8	63.5	19.05	22.8	M12	
500lb~1.5K	(2.0)	(2.5)	(0.75)	(0.90)	1/2-20UNF	
1t	50.8	63.5	25.4	29.2	M12	15.2 (0.60)
2,2.5Klb	(2.0)	(2.5)	(1.0)	(1.15)	1/2-20UNF	
2.5t	76.2	101.6	25.4	29.2	M20 × 1.5	
3Klb	(3.0)	(4.0)	(1.0)	(1.15)	1/2-20UNF	
5t	76.2	101.6	25.4	29.2	M20 × 1.5	20 (0.79)
5, 10Klb	(3.0)	(4.0)	(1.0)	(1.15)	3/4-16UNF	
7.5t	101.6	139.7	31.75	35.5	M24 × 2	31 (1.22)
15Klb	(4.0)	(5.5)	(1.25)	(1.40)	1-14UNS	
20Klb	127	177.8	50.8	54.6	1 1/4-12UNF	39.9 (1.57)

Wiring:

- Shielded, 4 conductor cable: φ5mm.
- Standard cable length: 6m.
- Cable type and cable length for customer's own application are available on request.



LOAD CELL BM3

- BM3 load cells are available in the capacities 0.5t to 7.5t.
- They offer total stainless steel construction, complete hermetic sealing, oil proof, waterproof and anti-corrosion making them suitable for use in all kinds of environments.
- S beam design, bear two sides weight of tension and compression, easy installation and flexible application. It is suitable for crane scale, hopper scale and other electronic weighing devices.
- It is safety and anti-explosion product that can be used in atrocious weather and hazardous areas .

Important Features

- Capacities: 0.5t ~ 7.5t.
- High accuracy.
- Stainless steel construction.
- Low profile and nice exterior.

Accessories:

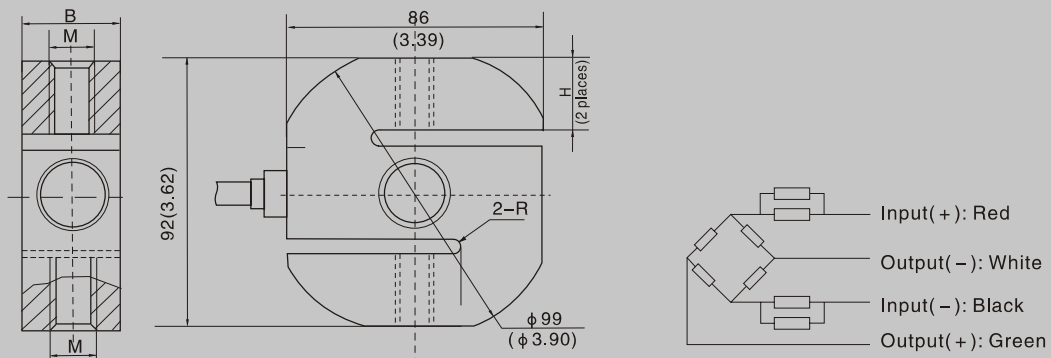
- HL-3-001
- HL-3-002
- HL-3-003
- HL-3-004
- HL-3-005



Specifications

Capacity	t	0.5/1/2/3/4/5/6/7.5					
		C2	C3	A5S	A5M	B10S	B10M
Accuracy class							
Maximum number of verification intervals	n_{max}	2000	3000	5000	5000	10000	10000
Minimum load cell verification interval	V_{min}	$E_{max}/5000$	$E_{max}/10000$	$E_{max}/15000$	$E_{max}/15000$	$E_{max}/10000$	$E_{max}/10000$
Combined error	(%FS)	$\leq \pm 0.030$	$\leq \pm 0.02$	$\leq \pm 0.018$	$\leq \pm 0.026$	$\leq \pm 0.035$	$\leq \pm 0.050$
Creep	(%FS/30min)	$\leq \pm 0.024$	$\leq \pm 0.16$	$\leq \pm 0.012$	$\leq \pm 0.017$	$\leq \pm 0.030$	$\leq \pm 0.040$
Temperature effect on sensitivity	(%FS/10°C)	$\leq \pm 0.017$	$\leq \pm 0.011$	$\leq \pm 0.009$	$\leq \pm 0.013$	$\leq \pm 0.030$	$\leq \pm 0.040$
Temperature effect on zero	(%FS/10°C)	$\leq \pm 0.023$	$\leq \pm 0.015$	$\leq \pm 0.010$	$\leq \pm 0.014$	$\leq \pm 0.030$	$\leq \pm 0.020$
Output sensitivity	(mv/v)	2.0 ± 0.004					
Input resistance	(Ω)	350 ± 3.5					
Output resistance	(Ω)	351 ± 2					
Insulation resistance	(M Ω)	$\geq 5000(50VDC)$					
Zero balance	(%FS)	1.5					
Temperature, compensated	(°C)	-10 ~ +40					
Temperature, allowed	(°C)	-35 ~ +65					
Excitation, Recommended	(V)	5 ~ 12(DC)					
Excitation, Max	(V)	18(DC)					
Safe overload	(%FS)	120					
Ultimate overload	(%FS)	150					

Outline Dimension mm (inch)



Capacity	0.5	1.0	2.0	3.0	4.0	5.0	6.0	7.5
Dimension								
B	32(1.26)	32(1.26)	32(1.26)	32(1.26)	36(1.42)	50(1.97)	50(1.97)	50(1.97)
M	M12x1.75	M12x1.75	M20x1.5	M20x1.5	M20x1.5	M24x2	M24x2	M24x2
H	25(0.98)	25(0.98)	25(0.98)	25(0.98)	25(0.98)	24(0.94)	24(0.94)	24(0.94)

Wiring:

- Shielded, 4 conductor cable: ϕ 5mm.
- Standard cable length: 3m(500kg), 6m(1.0t~7.5t).
- Cable type and cable length for customer's own application are available on request.

LOAD CELL L3V

- L3V load cells are available in the capacities 200Kg,500kg.
- Aluminum material, sealed with silicon adhesive, anodized surface with good resistance against corrosion.
- Integral structure, easy installation.
- Suitable for electronic measuring systems.

Important Features

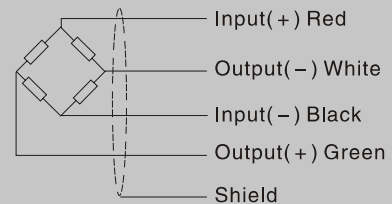
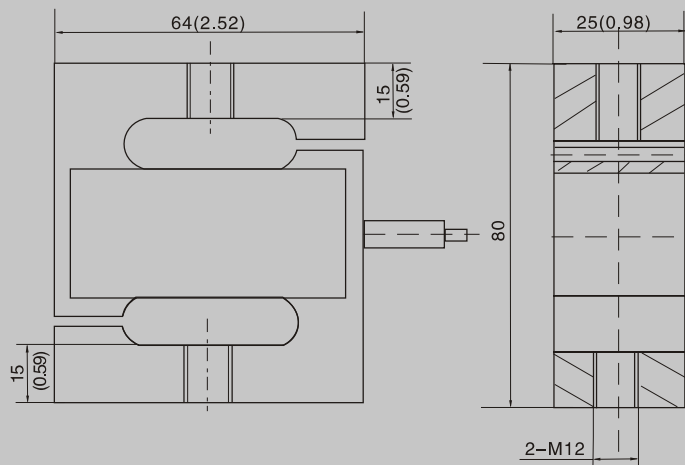
- Capacities: 200Kg, 500kg.
- High accuracy.
- Aluminum parallel beam construction.
- Integral installation.



Specifications

Capacity	kg	200、500
Output Sensitivity	mv/v	2.3 ± 0.04
Accuracy class		C2
Temperature effect on zero	%FS/10°C	0.03
Temperature effect on Sensitivity	+20°C~+40°C	0.03
	-10°C~+20°C	0.03
Combined error	%FS	0.0300
Creep	%FS	0.0200
Input resistance	Ω	410 ± 30
Output resistance	Ω	350 ± 3
Insulation resistance	MΩ	≥5000
Zero balance	%FS	2
Temperature, compensated	°C	-10 ~ +40
Temperature, operating	°C	-20 ~ +50
Excitation, Recommended	V	5-15
Safe overload	%FS	150
Ultimate overload	%FS	300

Outline Dimension mm (inch)

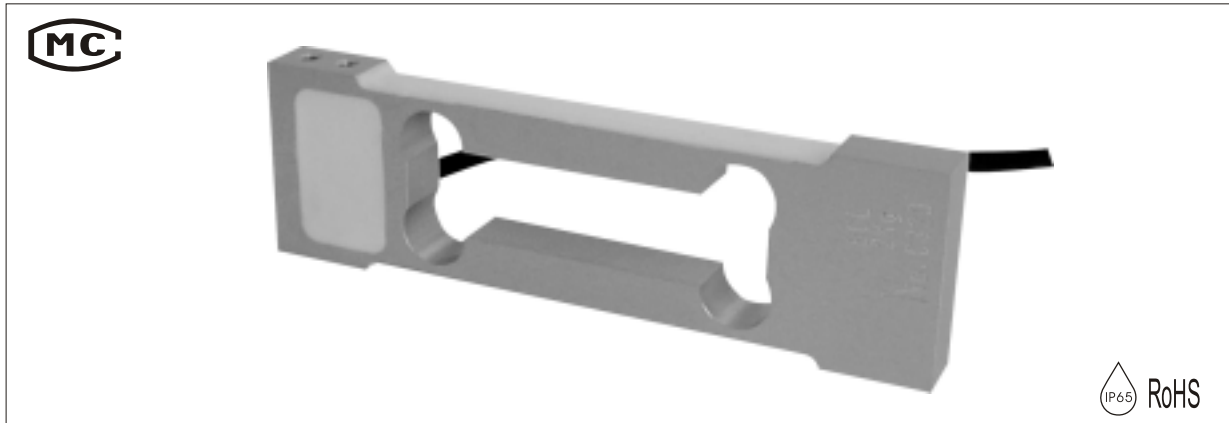


• Dimensions and specifications are subject to change without notice.

Wiring:

- Adopt a shielded, 4 conductor cable, and cable jacket is PVC.
- Cable length: 2.6 ± 0.1m.
- Cable diameter: 5.3 ± 0.2mm.

LOAD CELL L6B



- L6B load cells are available in the capacities 0.3kg to 3kg.
- Aluminum construction, silicone adhesive sealed, surface anodized and anti-corrosion.
- Integral structure and easy installation.
- They are suitable for electronic balance and other electronic weighing devices.

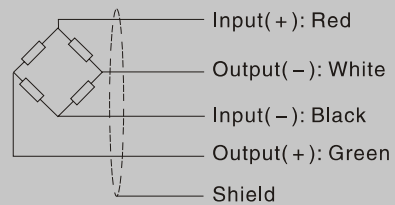
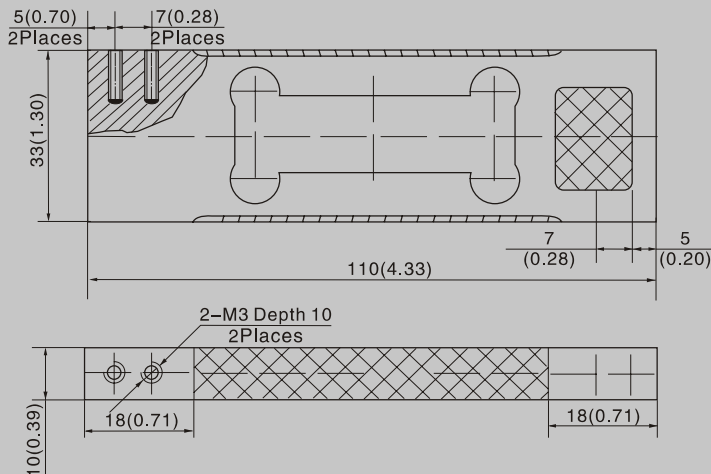
Important Features

- Capacities: 0.3kg~3kg.
- High accuracy.
- Aluminum parallel beam construction.
- Max. platform size: 200×200mm.
- Integral installation.

Specifications

Capacity	kg	0.3/0.6/1.2/3
Input sensitivity	mv/v	0.9±0.2
Accuracy class		C3D
Maximum number of verification intervals		2500
Minimum load cell verification interval	g	E _{max} /5000
Temperature effect on zero	%FS/10°C	0.0280
Temperature effect on sensitivity	+20°C~+40°C	0.0210
	-10°C~+20°C	0.0140
Combined error	%FS	0.0300
Creep	%FS	0.0200
Input resistance	Ω	406±6
Output resistance	Ω	350±3
Insulation resistance	MΩ	≥5000
Zero balance	%FS	2
Temperature, compensated	°C	-10 ~ +40
Temperature, operating	°C	-20 ~ +50
Excitation, Recommended	V	5-15
Safe overload	%FS	150
Ultimate overload	%FS	300

Outline Dimension mm (inch)



• Dimensions and specifications are subject to change without notice.

Wiring:

- Adopt a shielded ,4 conductor cable, and cable jacket is PVC.
- Cable length: 0.45±0.05m.
- Cable diameter: 3±0.2mm.

LOAD CELL H6B

- H6B load cells are available in the capacities 100kg to 500kg.
- Alloy steel, nickel plated, potted by adhesive inside, oil-proof, waterproof and anti-corrosion, suitable for multifunction environment.
- Single point cantilever, easy installation, suitable for electronic platform scale, belt scale and other electronic weighing devices.
- It is safety and anti-explosion product that can be used in atrocious weather and hazardous areas .

Important Features

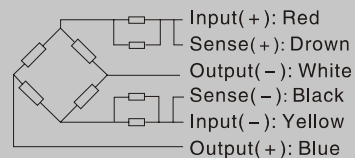
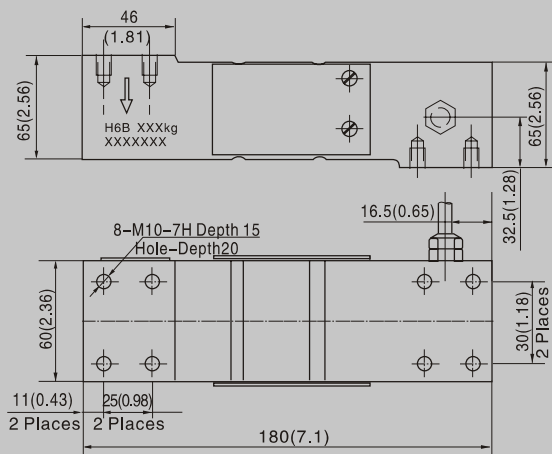
- Capacities: 100kg~500kg.
- High accuracy.
- Alloy steel construction.
- Low profile and nice exterior



Specifications

Capacity	Kg	100/150/200/250/300/350/500	
Accuracy class		C2	C3
Maximum number of verification intervals	Π_{max}	2000	3000
Minimum load cell verification interval	V_{min}	$E_{max}/5000$	$E_{max}/7500$
Combined error	(%FS)	$\leq \pm 0.030$	$\leq \pm 0.020$
Creep	(%FS/30min)	$\leq \pm 0.024$	$\leq \pm 0.016$
Temperature effect on sensitivity	(%FS/10°C)	$\leq \pm 0.017$	$\leq \pm 0.011$
Temperature effect on zero	(%FS/10°C)	$\leq \pm 0.023$	$\leq \pm 0.019$
Output sensitivity	(mv/v)	2.0 ± 0.1	
Input resistance	(Ω)	383 ± 3	
Output resistance	(Ω)	351 ± 2	
Insulation resistance	(MΩ)	≥ 5000(50VDC)	
Zero balance	(%FS)	1.5	
Temperature, compensated	(°C)	-10 ~ +40	
Temperature, allowed	(°C)	-35 ~ +65	
Excitation, Recommended	(V)	5 ~ 12(DC)	
Excitation, Max.	(V)	18(DC)	
Safe overload	(%FS)	120	
Ultimate overload	(%FS)	150	

Outline Dimension mm(inch)



Wiring:

- Shielded, 6 conductor cable.
- Standard cable length: 3m.
- Cable type and cable length for customer's own application are available on request.

LOAD CELL L6C



- L6C load cells are available in the capacities 3kg to 50kg.
- Aluminum construction, silicone adhesive sealed, surface anodized and anti-corrosion.
- Integral structure and easy installation.
- They are suitable for pricing scale, counting scale, electronic balance and other electronic weighing devices.

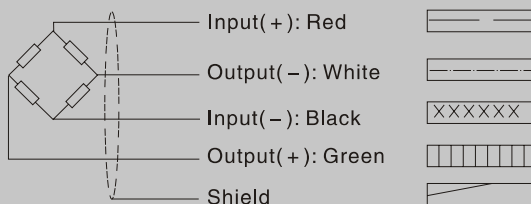
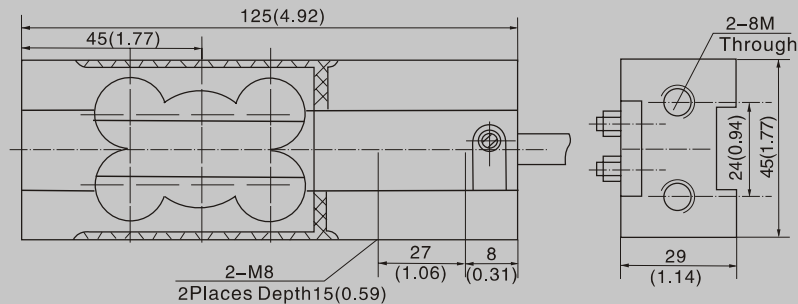
Important Features

- Capacities: 3 kg~50kg.
- High accuracy.
- Aluminum parallel beam construction.
- Max. platform size: 250×350mm.
- Integral installation.

Specifications

Capacity	kg	3/5/8/20/30/50		
Input sensitivity	mv/v	1.9 ± 0.2		
Accuracy class		C3D	C3	C4
Maximum number of verification intervals		2500	3000	4000
Minimum load cell verification interval	g	E _{max} /5000	E _{max} /7000	E _{max} /11000
Temperature effect on zero	%FS/10°C	0.0280	0.0200	0.0127
Temperature effect on sensitivity	+20°C~+40°C	0.0210	0.0175	0.0131
	-10°C~+20°C	0.0140	0.0117	0.0088
Combined error	%FS	0.0300	0.0200	0.0150
Creep	%FS	0.0200	0.0167	0.0125
Input resistance	Ω	409 ± 6		
Output resistance	Ω	350 ± 3		
Insulation resistance	MΩ	≥ 5000		
Zero balance	%FS	2		
Temperature, compensated	°C	-10 ~ +40		
Temperature, operating	°C	-20 ~ +50		
Excitation, Recommended	V	5-15		
Safe Overload	%FS	150		
Ultimate Overload	%FS	300		

Outline Dimension mm (inch)

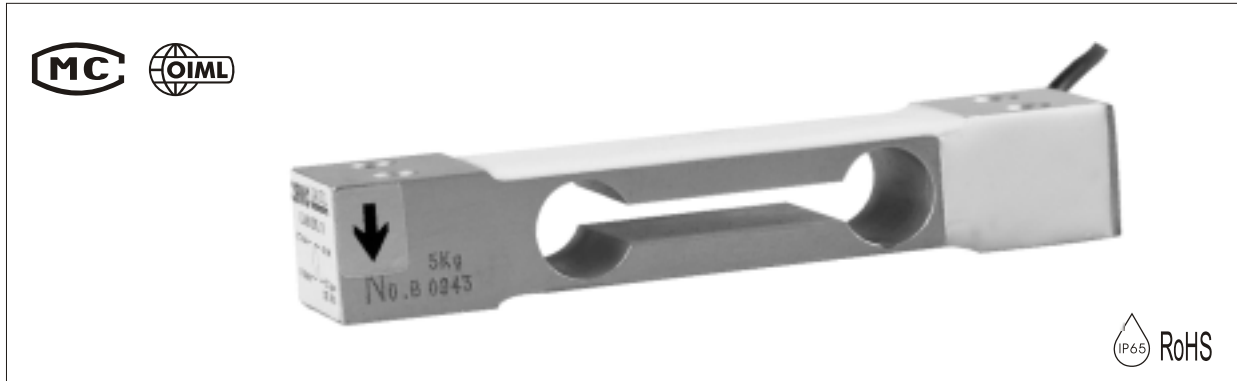


- Dimensions and specifications are subject to change without notice.
- Installed screw request M8, 8.8 class, with oiled screw, torque 25Nm.

Wiring:

- Adopt a shielded, 5 conductor ribbon cable.
- Cable length: 0.35 ± 0.05m.

LOAD CELL L6D



- L6D load cells are available in the capacities 2.5kg to 50kg.
- Aluminum construction, silicone adhesive sealed, surface anodized and anti-corrosion.
- Integral structure and easy installation.
- They are suitable for pricing scale, counting scale, balance and other electronic weighing devices.

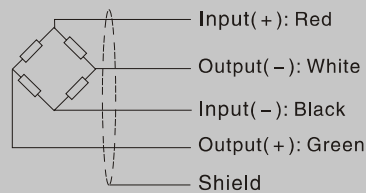
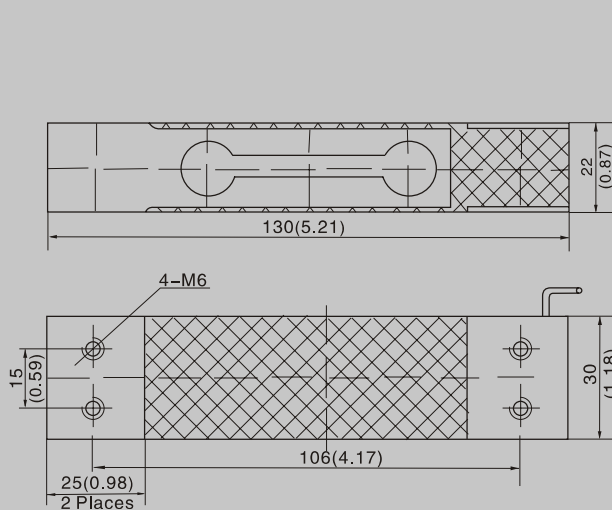
Important Features

- Capacities: 2.5 kg~50kg.
- High accuracy.
- Aluminum parallel beam construction.
- Max. platform size: 250 × 350mm.
- Integral installation.
- With OIML approval: (PTB: D09-03.20).

Specifications

Capacity	kg	2.5/3/5/6/8/10/15/20/30/35/40/50		
Output sensitivity	mv/v	2.0 ± 0.2		
Accuracy class		C3D	C3	C3G
Maximum number of verification intervals		2500	3000	4000
Minimum load cell verification interval	g	E _{max} /5000	E _{max} /7000	E _{max} /11000
Temperature effect on zero	%FS/10°C	0.0280	0.0200	0.0127
Temperature effect on sensitivity	+20°C~+40°C	0.0210	0.0175	0.0131
	-10°C~+20°C	0.0140	0.0117	0.0088
Combined error	%FS	0.0300	0.0200	0.0150
Creep	%FS	0.0200	0.0167	0.0125
Input resistance	Ω	409 ± 6/1065 ± 15		
Output resistance	Ω	350 ± 3/1000 ± 10		
Insulation resistance	MΩ	≥5000		
Zero balance	%FS	2		
Temperature, compensated	°C	-10 ~ +40		
Temperature, operating	°C	-20 ~ +50		
Excitation, Recommended	V	5-15		
Safe overload	%FS	150		
Ultimate overload	%FS	300		

Outline Dimension mm (inch)



Output resistance	Input		Output	
	+	-	+	-
1000(Ω)	Red	White	Green	Blue
350(Ω)	Red	Black	Green	White

- Dimensions and specifications are subject to change without notice.
- Installed screw request M6, 8.8 class, screw rinsed with oil, torque 10Nm.

Wiring:

- Adopt a shielded, 4 conductor cable, and cable jacket is PVC.
- Cable length: 0.45 ± 0.05m.
- Cable diameter: 3.8 ± 0.2mm.

LOAD CELL L6E



- L6E load cells are available in the capacities 50kg to 300kg.
- Aluminum construction, silicone adhesive sealed, surface anodized and anti-corrosion.
- Integral structure and easy installation.
- They are suitable for pricing scale, platform scale and other electronic weighing devices.

Important Features

- Capacities: 50kg~300kg.
- High accuracy.
- Aluminum parallel beam construction.
- Max. platform size: 400 × 400mm.
- Integral installation.
- With OIML approval: (PTB: D09-03.21).

Specifications

Capacity	kg	50/60/80/100/150/200/300		
Output sensitivity	mv/v	2.0 ± 0.2		
Accuracy class		C3D	C3	C3G
Maximum number of verification intervals		2500	3000	4000
Minimum load cell verification interval	g	E _{max} /5000	E _{max} /7000	E _{max} /11000
Temperature effect on zero	%FS/10°C	0.0280	0.0200	0.0127
Temperature effect on sensitivity	+20°C~+40°C	0.0210	0.0175	0.0131
	-10°C~+20°C	0.0140	0.0117	0.0088
Combined error	%FS	0.0300	0.0200	0.0150
Creep	%FS	0.0200	0.0167	0.0125
Input resistance	Ω	406 ± 6		
Output resistance	Ω	350 ± 3		
Insulation resistance	MΩ	≥ 5000		
Zero balance	%FS	2		
Temperature, compensated	°C	-10 ~ +40		
Temperature, operating	°C	-20 ~ +50		
Excitation, Recommended	V	5-15		
Safe overload	%FS	150		
Ultimate overload	%FS	300		

Outline Dimension mm (inch)

Input (+): Red

Output (-): White

Input (-): Black

Output (+): Green

Shield

- Dimensions and specifications are subject to change without notice.

Wiring:

- Adopt a shielded, 4 conductor cable, and cable jacket is PVC.
- Cable length: 2 ± 0.1m.
- Cable diameter: 5 ± 0.2mm.

LOAD CELL B6E



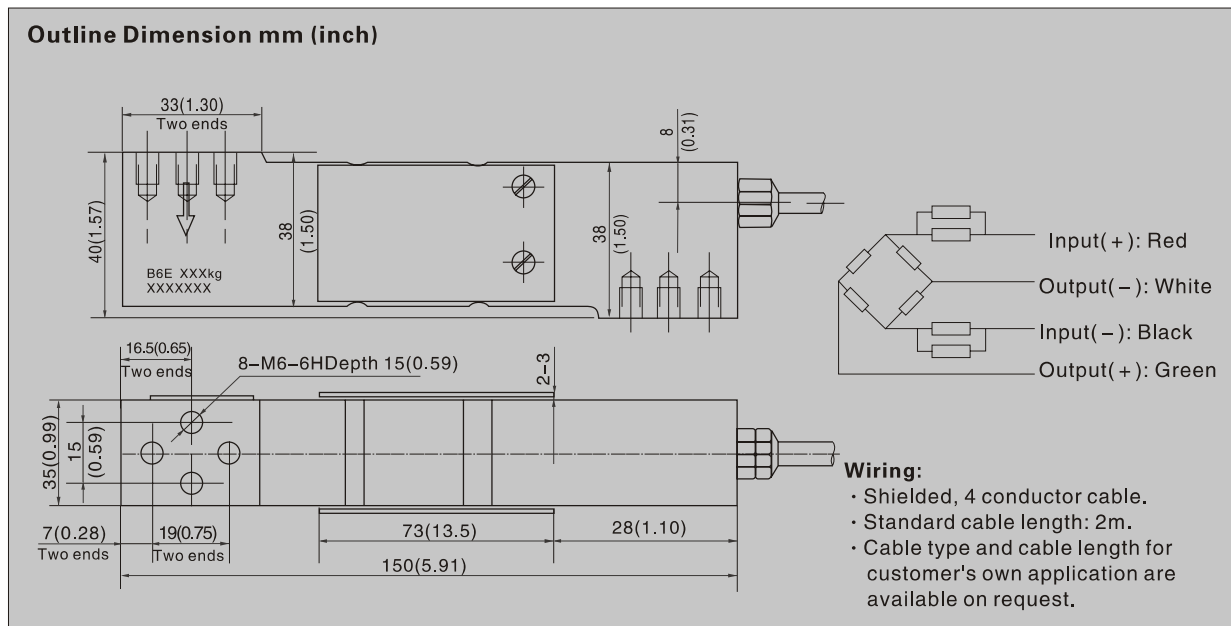
- B6E load cells are available in the capacities 20kg to 300kg.
- They offer 17-4PH stainless steel construction, complete hermetic sealing, oil proof, waterproof, anti-corrosive gas and medium making them suitable for use in all kinds of environments.
- Single point parallel beam, suitable for electronic scale, electronic platform scale, belt scale and other electronic weighing devices.

- Important Features**
- Capacities: 20kg~300kg.
 - High accuracy.
 - Stainless steel construction.
 - Low profile and nice exterior.

Specifications

Capacity	Kg	20/30/50/75/100/150/200/250/300	
Accuracy class		C2	C3
Maximum number of verification intervals	n_{max}	2000	3000
Minimum load cell verification interval	v_{min}	$E_{max}/5000$	$E_{max}/7500$
Combined error	(%FS)	$\leq \pm 0.030$	$\leq \pm 0.020$
Creep	(%FS/30min)	$\leq \pm 0.023$	$\leq \pm 0.016$
Temperature effect on sensitivity	(%FS/10°C)	$\leq \pm 0.017$	$\leq \pm 0.011$
Temperature effect on zero	(%FS/10°C)	$\leq \pm 0.029$	$\leq \pm 0.019$
Output sensitivity (Note 1)	(mv/v)	2.0 ± 0.2	
Input resistance (Note 2)	(Ω)	384 ± 4	
Output resistance	(Ω)	351 ± 2	
Insulation resistance	(MΩ)	≥ 5000(100VDC)	
Zero balance	(%FS)	1.5	
Temperature, compensated	(°C)	-10 ~ +40	
Temperature, operating	(°C)	-35 ~ +70	
Excitation, Recommended	(V)	10(DC)	
Excitation, Max	(V)	15(DC)	
Safe overload	(%FS)	120	
Ultimate overload	(%FS)	150	
Corner correction		0.02% load value /100mm	

Note: 1.S1 Type 2.0 ± 0.002 2.S1 Type 400 ± 20



LOAD CELL H6E

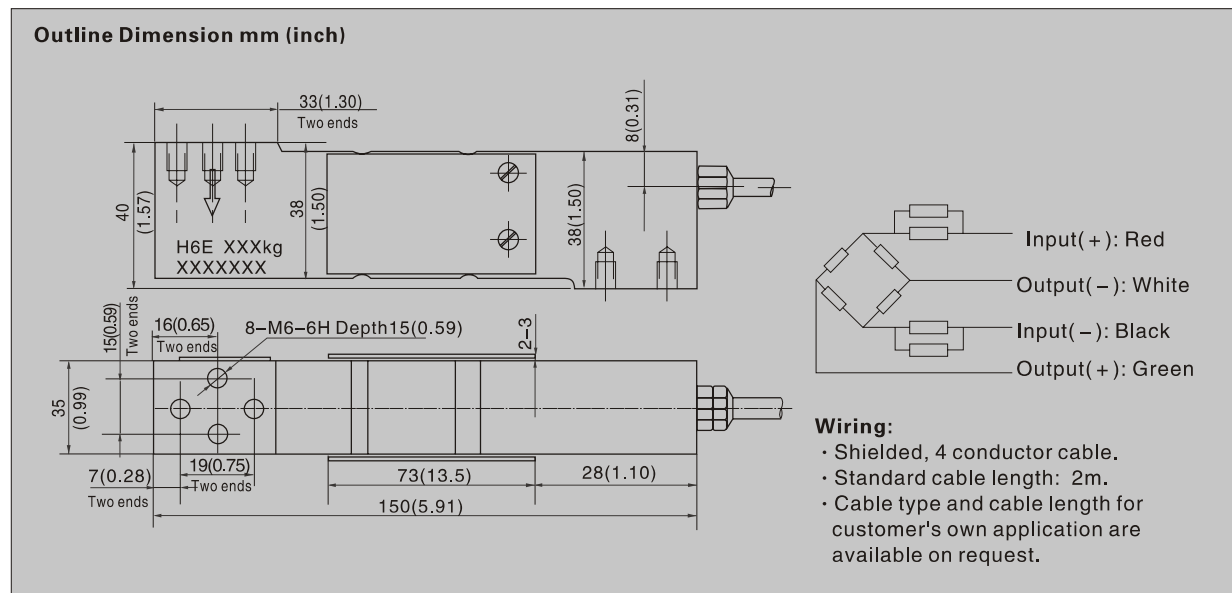


- H6E load cells are available for manifold accurate measurement in the capacities 20kg to 300kg
 - Alloy steel, nickel plated, potted by adhesive inside, oil-proof, waterproof and anti-corrosion, suitable for multiform environment.
 - Single point cantilever, suitable for electronic scale, electronic platform scale, belt scale and other electronic weighing devices.
 - Max. platform size: 400 × 400mm
- Important Features**
- Capacities: 20kg~300kg.
 - High accuracy.
 - Alloy steel construction.
 - Low profile and nice exterior.

Specifications

Capacity	Kg	20/30/50/75/100/150/200/250/300	
Accuracy class		C2	C3
Maximum number of verification intervals	\bar{n}_{max}	2000	3000
Minimum number of verification intervals	V_{min}	$E_{max}/5000$	$E_{max}/7500$
Combined error	(%FS)	$\leq \pm 0.030$	$\leq \pm 0.020$
Creep	(%FS/30min)	$\leq \pm 0.023$	$\leq \pm 0.016$
Temperature effect on sensitivity	(%FS/10°C)	$\leq \pm 0.017$	$\leq \pm 0.011$
Temperature effect on zero	(%FS/10°C)	$\leq \pm 0.029$	$\leq \pm 0.019$
Output sensitivity (Note 1)	(mv/v)	2.0 ± 0.2	
Input resistance (Note 2)	(Ω)	384 ± 4	
Output resistance	(Ω)	351 ± 2	
Insulation resistance	($M\Omega$)	$\geq 5000(100VDC)$	
Zero balance	(%FS)	1.5	
Temperature, compensated	(°C)	$-10 \sim +40$	
Temperature, allowed	(°C)	$-35 \sim +70$	
Excitation, Recommended	(V)	10(DC)	
Excitation, Max.	(V)	15(DC)	
Safe overload	(%FS)	120	
Ultimate overload	(%FS)	150	
Corner correction		0.02%load value /100mm	

Note: 1.S1 Type 2.0 ± 0.002 2.S1 Type 400 ± 20



LOAD CELL L6E3



- L6E3 load cells are available in the capacities 50kg to 300kg.
- Aluminum-alloy construction, silicone adhesive sealed, surface anodized and anti-corrosion.
- Integral structure and easy installation.
- They are suitable for pricing scale, platform scale and other electronic weighing devices.

Important Features

- Capacities: 50kg~300kg.
- High accuracy.
- Aluminum parallel beam construction.
- Max. platform size: 450 × 450mm.
- Integral installation.
- With OIML approval: (PTB: D09-06.09)

Specifications

Capacity	kg	50/100/150/200/250/300		
Output Sensitivity	mv/v	2.0 ± 0.2		
Accuracy class		C3D	C3	C3G
Maximum number of verification intervals		2500	3000	4000
Minimum load cell verification interval	g	Emax/5000	Emax/7000	Emax/11000
Temperature effect on zero	%FS/10°C	0.0280	0.0200	0.0127
Temperature effect on sensitivity	+20°C~+40°C	0.0210	0.0175	0.0131
	-10°C~+20°C	0.0140	0.0117	0.0088
Combined error	%FS	0.0300	0.0200	0.0150
Creep	%FS	0.0200	0.0167	0.0125
Input resistance	Ω	406 ± 6		
Output resistance	Ω	350 ± 3		
Insulation resistance	MΩ	≥ 5000		
Zero balance	%FS	2		
Temperature, compensated	°C	-10 ~ +40		
Temperature, operating	°C	-20 ~ +50		
Excitation, Recommended	V	5-15		
Safe overload	%FS	150		
Ultimate overload	%FS	300		

Outline Dimension mm (inch)

Input (+): Red
 Output (-): White
 Input (-): Black
 Output (+): Green
 Shield

- Dimensions and specifications are subject to change without notice.

Wiring:

- Adopt a shielded, 4 conductor cable, and cable jacket is PVC.
- Cable length: 3 ± 0.1m.
- Cable diameter: 5.3 ± 0.2mm.
- The shield is connected to the element.

LOAD CELL B6E3



- B6E3 load cells are available in the capacities 20kg to 300kg.
- They offer 17–4PH stainless steel construction, complete hermetic sealing, oil proof, waterproof, anti–corrosive gas and medium making them suitable for use in all kinds of environments.
- Single point parallel beam, suitable for electronic scale, electronic platform scale, belt scale and other electronic weighing devices.
- Max. platform size: 400 × 400mm

Important Features

- Capacities: 20kg~300kg.
- High accuracy.
- Stainless steel construction.
- Low profile and nice exterior.

Specifications

Capacity	Kg	20/30/50/75/100/150/200/250/300	
Accuracy class		C2	C3
Maximum number of verification intervals	nmax	2000	3000
Minimum load cell verification interval	Vmin	Emax/5000	Emax/7500
Combined error	(%FS)	≤ ± 0.030	≤ ± 0.020
Creep	(%FS/30min)	≤ ± 0.023	≤ ± 0.016
Temperature effect on sensitivity	(%FS/10°C)	≤ ± 0.017	≤ ± 0.011
Temperature effect on zero	(%FS/10°C)	≤ ± 0.029	≤ ± 0.019
Output sensitivity (Note 1)	(mv/v)	2.0 ± 0.2	
Input resistance (Note 2)	(Ω)	384 ± 4	
Output resistance	(Ω)	351 ± 2	
Insulation resistance	(MΩ)	≥ 5000(100VDC)	
Zero balance	(%FS)	1.5	
Temperature, compensated	(°C)	-10 ~ +40	
Temperature, operating	(°C)	-35 ~ +70	
Excitation, Recommended	(V)	10(DC)	
Excitation, Max	(V)	15(DC)	
Safe overload	(%FS)	120	
Ultimate overload	(%FS)	150	
Corner correction		0.02% load value /100mm	

Note: 1.S1 Type 2.0 ± 0.002 2.S1 Type 400 ± 20

Outline Dimension mm (inch)

Wiring:

- Shielded, 4 conductor cable.
- Standard cable length: 3m.
- Cable type and cable length for customer's own application are available on request.

Color Coding:

- Input (+): Red
- Output (-): White
- Input (-): Black
- Output (+): Green

LOAD CELL H6E3



- H6E3 load cells are available for manifold accurate measurement in the capacities 20kg to 300kg
 - Alloy steel, nickel plated, potted by adhesive inside, oil-proof, waterproof and anti-corrosion, suitable for multiform environment.
 - Single point cantilever, suitable for electronic scale, electronic platform scale, belt scale and other electronic weighing devices.
 - Max. platform size: 400 x 400mm
- Important Features**
- Capacities: 20kg ~ 300kg.
 - High accuracy.
 - Alloy steel construction.
 - Low profile and nice exterior.

Specifications

Capacity	Kg	20/30/50/75/100/150/200/250/300	
Accuracy class		C2	C3
Maximum number of verification intervals	n_{max}	2000	3000
Minimum number of verification intervals	v_{min}	$E_{max}/5000$	$E_{max}/7500$
Combined error	(%FS)	$\leq \pm 0.030$	$\leq \pm 0.020$
Creep	(%FS/30min)	$\leq \pm 0.023$	$\leq \pm 0.016$
Temperature effect on sensitivity	(%FS/10°C)	$\leq \pm 0.017$	$\leq \pm 0.011$
Temperature effect on zero	(%FS/10°C)	$\leq \pm 0.029$	$\leq \pm 0.019$
Output sensitivity (Note 1)	(mv/v)	2.0 ± 0.2	
Input resistance (Note 2)	(Ω)	384 ± 4	
Output resistance	(Ω)	351 ± 2	
Insulation resistance	(MΩ)	$\geq 5000(100VDC)$	
Zero balance	(%FS)	1.5	
Temperature, compensated	(°C)	-10 ~ +40	
Temperature, allowed	(°C)	-35 ~ +70	
Excitation, Recommended	(V)	10(DC)	
Excitation, Max.	(V)	15(DC)	
Safe overload	(%FS)	120	
Ultimate overload	(%FS)	150	
Corner correction		0.02%load value /100mm	

Note: 1.S1 Type 2.0 ± 0.002 2.S1 Type 400 ± 20

Outline Dimension mm (inch)

Wiring:

- Shielded, 4 conductor cable.
- Standard cable length: 3m.
- Cable type and cable length for customer's own application are available on request.

LOAD CELL L6F

- L6F load cells are available in the capacities 50kg to 2000kg.
- Aluminum construction, silicone adhesive sealed, surface anodized and anti-corrosion.
- Integral structure and easy installation.
- They are suitable for pricing scale, platform scale and other electronic weighing devices.

Important Features

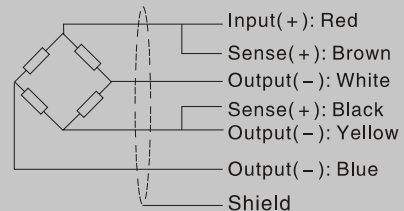
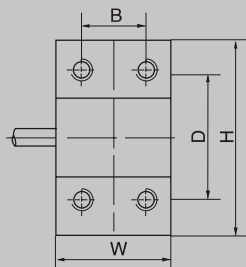
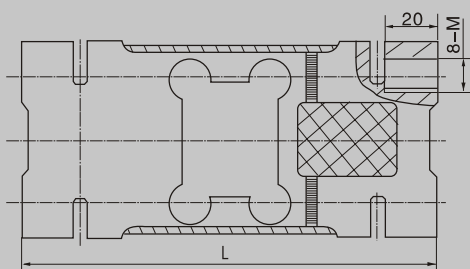
- Capacities: 50kg~2000kg.
- High accuracy.
- Aluminum parallel beam construction.
- Max. platform size:
50–200Kg 600 × 600mm
250–500Kg 600 × 800mm
750–2000Kg 1200 × 1200mm.
- Integral installation.
- With OIML approval: (PTB: D09–06.10).



Specifications

Capacity	kg	50/100/150/200/250/500./750/1000/ 2000		
Output Sensitivity	mv/v	2.0 ± 0.2		
Accuracy class		C3D	C3	C3G
Maximum number of verification intervals) (nmax)		2500	3000	4000
Minimum load cell verification interval	g	Emax/5000	Emax/7000	Emax/11000
Temperature effect on zero	%FS/10°C	0.0280	0.0200	0.0127
Temperature effect on sensitivity	+20°C~+40°C	0.0210	0.0175	0.0131
	-10°C~+20°C	0.0140	0.0117	0.0088
Combined error	%FS	0.0300	0.0200	0.0150
Creep	%FS	0.0200	0.0167	0.0125
Input resistance	Ω	406 ± 6		
Output resistance	Ω	350 ± 3		
Insulation resistance	MΩ	≥5000		
Zero balance	%FS	2		
Temperature, compensated	°C	-10 ~ +40		
Temperature, operating	°C	-20 ~ +50		
Excitation, Recommended	V	5–15		
Safe overload	%FS	150		
Ultimate overload	%FS	300		

Outline Dimension mm (inch)



Capacity	Dimension					
	L	W	H	D	P	M
50–200	156	44	75	50	24	M12
250–500	146	60	95	70	36	M12
750–2000	176	76	125	95	46	M16

• Dimensions and specifications are subject to change without notice.

Wiring

- Adopt a shielded, 6 conductor cable, and cable jacket is PVC.
- Cable length: 3 ± 0.1m.
- Cable diameter: 6.2 ± 0.2mm.

LOAD CELL B6F



- B6F load cells are available in the capacities 50kg to 2000kg.
- They offer 17-4PH stainless steel construction, oil proof, waterproof, anti-corrosive gas and medium making them suitable for use in all kinds of environments.
- Single point parallel beam, suitable for electronic scale, electronic platform scale, belt scale and other electronic weighing devices.
- Max. platform size: 50 ~200kg: 600×600 250 ~ 500kg: 600×800 750kg ~ 2t: 1200×1200

Important Features

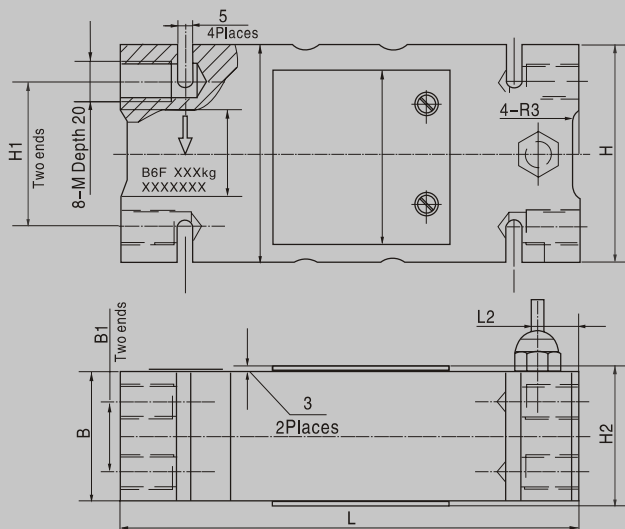
- Capacities: 50kg~2000kg.
- High accuracy.
- Stainless steel construction.
- Low profile and nice exterior.

Specifications

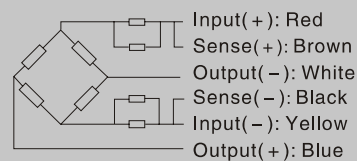
Capacity	Kg	50/100/150/200/250/300/400/500/750/1000/1500/2000	
Accuracy class		C2	C3
Maximum number of verification intervals	n _{max}	2000	3000
Minimum load cell verification interval	v _{min}	E _{max} /5000	
Combined error	(%FS)	≤ ± 0.030	≤ ± 0.020
Creep	(%FS/30min)	≤ ± 0.023	≤ ± 0.016
Temperature effect on sensitivity	(%FS/10°C)	≤ ± 0.017	≤ ± 0.011
Temperature effect on zero	(%FS/10°C)	≤ ± 0.029	≤ ± 0.019
Output sensitivity (Note 1)	(mv/v)	2.0 ± 0.2	
Input resistance (Note 2)	(Ω)	384 ± 4	
Output resistance	(Ω)	351 ± 2	
Insulation resistance	(MΩ)	≥ 5000(100VDC)	
Zero balance	(%FS)	1.5	
Temperature, compensated	(°C)	-10 ~ +40	
Temperature, operating	(°C)	-35 ~ +70	
Excitation, Recommended	(V)	10(DC)	
Excitation, Max	(V)	15(DC)	
Safe overload	(%FS)	120	
Ultimate overload	(%FS)	150	
Corner correction		0.02% load value /100mm	

Note: 1.S1 Type 2.0±0.002 2.S1 Type 400±20

Outline Dimension mm (inch)



Capacity Dimension	50-200 kg	250-200 kg	750kg-2t
B	44(1.73)	60(2.36)	76(2.99)
B1	24(0.94)	36(1.42)	46(1.81)
H	75(2.95)	95(3.74)	125(4.92)
H1	50(1.97)	70(2.76)	95(3.74)
H2	50(1.97)	66(2.60)	82(3.23)
L	156(6.14)	146(5.75)	176(6.93)
L2	14(0.55)	11(0.43)	24(0.95)
M	M12-7H	M12-7H	M16-7H



Wiring:

- Shielded, 6 conductor cable.
- Standard cable length: 3m.
- Cable type and cable length for customer's own application are available on request.