

LOAD CELL BM8D



- BM8D load cells are available in the capacities 1Klb to 20Klb and 0.5t to 10t.
- They offer total stainless steel construction, cover board hermetic sealing, oil proof, waterproof and anti-corrosion making them suitable for use in all kinds of environments.
- Single shear beam design, easy installation and they are suitable for platform scale, truck scale and other electronic weighing devices.
- It is safety and anti-explosion product that can be used in atrocious weather and hazardous areas .

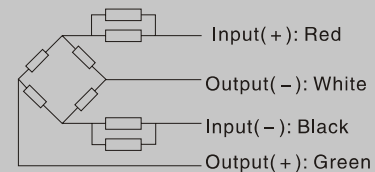
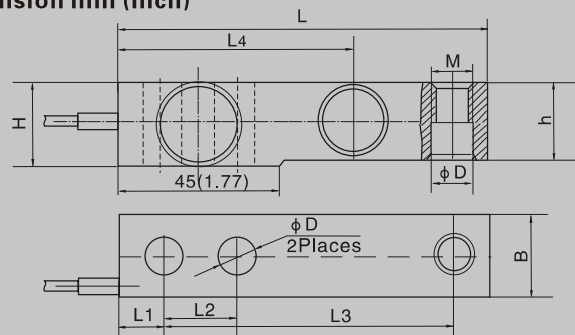
Important Features

- Capacities: 1Klb ~20Klb; 0.5t~10t.
- High accuracy.
- Stainless steel construction.
- Low profile and nice exterior.

Specifications

Capacity	t	0.5/1/1.5/2/2.5/3/5/7.5/10			
		1/1.5/2/2.5/2.5KLE/5K/5KSE/7.5/10/15/20			
	Klb	C2	C3	A5M	B10M
Accuracy class		C2	C3	A5M	B10M
Maximum number of verification intervals	n _{max}	2000	3000	5000	10000
Minimum load cell verification interval	V _{min}	E _{max} /5000	E _{max} /7500	E _{max} /15000	E _{max} /10000
Combined error	(%FS)	≤0.030	≤±0.020	≤±0.026	≤±0.050
Creep	(%FS/30min)	≤0.023	≤±0.016	≤±0.017	≤±0.040
Temperature effect on sensitivity	(%FS/10°C)	≤0.017	≤±0.011	≤±0.013	≤±0.040
Temperature effect on zero	(%FS/10°C)	≤0.029	≤±0.019	≤±0.014	≤±0.020
Output sensitivity	(mv/v)	3.0±0.008			
Input resistance	(Ω)	350±3.5			
Output resistance	(Ω)	351±2			
Insulation resistance	(MΩ)	≥5000(50VDC)			
Zero balance	(%FS)	1.0			
Temperature, compensated	(°C)	-10 ~ +40			
Temperature, allowed	(°C)	-35 ~ +65			
Excitation, Recommended	(V)	5 ~ 12(DC)			
Excitation, Max	(V)	18(DC)			
Safe overload	(%FS)	120			
Ultimate overload	(%FS)	150			

Outline Dimension mm (inch)



Wiring:

- Shielded, 4 conductor cable.
- Standard cable length: 6m.
- Cable type and cable length for customer's own application are available on request.

Capacity	B	D	H	h	L	L1	L2	L3	L4	L5	M
1k	30.7 (1.21)	13.4 (0.53)	30.2 (1.89)	24.76(0.98)	130 (5.12)	15.7 (0.62)	25.4 (1)	101.6 (4)	82.4 (3.24)	57.1 (2.25)	1/2-20UNF-2B
1.5k, 2k				26(1.024)							
2.5k				27(1.06)							
3k-5KSE	31.3 (1.23)	13.4 (0.53)	31.3 (1.23)	27.95(1.1)	171.4 (6.75)	19 (0.748)	38.1 (1.5)	133.3 (5.25)	111.1 (4.37)	77.1 (6.38)	3/4-16UNF-2B
0.5t				24.76(0.98)							
1t				26(1.024)							
1.5t-2t				27.95(1.1)							M12 x 1.75
2.5KLE	36.8 (1.45)	19.8 (0.779)	36.8 (1.45)	27(1.06)	222.2 (8.75)	25.4 (1)	50.8 (2)	171.5 (6.75)	144 (5.67)	102 (4.02)	M20 x 2.5
5k-15k				31.95(1.26)							
2.5t-5t				20.5(0.81)							
20k	49.5 (1.95)	26.9 (1.06)	49.5 (1.95)	40(1.57)							1-12UNF-2B
7.5t-10t											M20 x 2

LOAD CELL H8H



- H8H load cells are available for manifold accurate measurement in the capacities 0.25t to 5t
- Alloy steel, cover welded, oil-proof, waterproof and anti-corrosion, suitable for all kinds of environments.
- Single shear beam, easy installation, suitable for electronic truck scale, track scale, hopper scale and other electronic weighing devices.
- It is safety and anti-explosion product that can be used in atrocious weather and hazardous areas .

Important Features

- Capacities: 0.25t~5t.
- High accuracy.
- Alloy steel construction.
- Low profile and nice exterior.

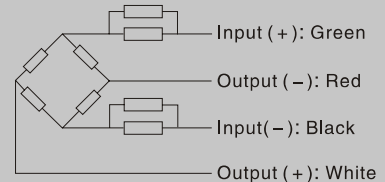
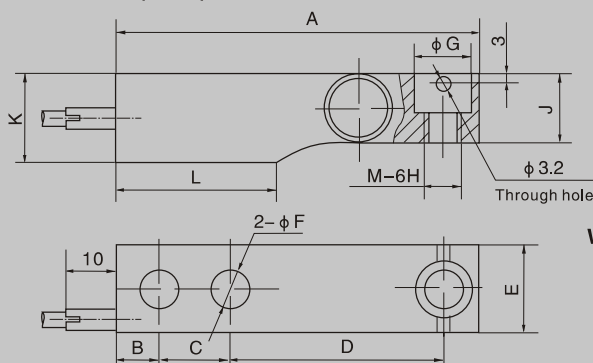
Accessories

- HJ-8-217
- HJ-8-218

Specifications

Capacity	t	0.25/0.5/1/2/5			
		C2	C3	A5M	B10M
Accuracy class					
Maximum number of verification intervals	n _{max}	2000	3000	5000	10000
Minimum load cell verification interval	v _{min}	E _{max} /5000	E _{max} /7500	E _{max} /15000	E _{max} /10000
Combined error	(%FS)	≤ ±0.030	≤ ±0.020	≤ ±0.026	≤ ±0.050
Creep	(%FS/30min)	≤ ±0.023	≤ ±0.016	≤ ±0.017	≤ ±0.040
Temperature effect on sensitivity	(%FS/10°C)	≤ ±0.017	≤ ±0.011	≤ ±0.013	≤ ±0.040
Temperature effect on zero	(%FS/10°C)	≤ ±0.029	≤ ±0.019	≤ ±0.014	≤ ±0.020
Output sensitivity	(mv/v)	2.0 ± 0.002			
Input resistance	(Ω)	350 ± 3.5			
Output resistance	(Ω)	351 ± 2			
Insulation resistance	(MΩ)	≥ 5000(50VDC)			
Zero balance	(%FS)	1.0			
Temperature, compensated	(°C)	-10 ~ +40			
Temperature, allowed	(°C)	-35 ~ +65			
Excitation, Recommended	(V)	5 ~ 12(DC)			
Excitation, Max	(V)	18(DC)			
Safe overload	(%FS)	120			
Ultimate overload	(%FS)	150			

Outline Dimension mm (inch)



Wiring:

- Shielded, 4 conductor cable: Φ 5 mm.
- Standard cable length: 4m.
- Cable type and cable length for customer's own application are available on request.

Dimension Capacity	A	B	C	D	E	Φ F	Φ G	H	J	K	L	M
5.0t	172 (6.77)	19.1 (0.75)	38.1 (1.5)	95.3 (3.75)	38 (0.81)	20.5 (0.81)	30.2 (1.19)	20 (0.79)	40(1.57)	44 (1.73)	76.2 (3.0)	M20
2.0t									32(1.26)	35.9(1.4)		
1.0t	130 (5.12)	15.5 (0.61)	25.4 (1.0)	76.2 (1.25)	31.8 (1.25)	13 (0.51)	20.5 (0.81)	14.2 (0.56)	28(1.1)	31.8(1.5)	57.1 (2.25)	M12
500kg									26(1.02)			
250kg									25.5(1.0)			

LOAD CELL BM8H



- BM8H load cells are available in the capacities 500lb to 10Klb and 0.25t to 5t.
- They offer total stainless steel construction, cover board hermetic sealing, oil proof, waterproof and anti-corrosion making them suitable for use in all kinds of environments.
- Single shear beam, easy installation and they are suitable for truck scale, track scale, hopper scale and other electronic weighing devices.
- It is safety and anti-explosion product that can be used in atrocious weather and hazardous areas .

Important Features

- Capacities: 500lb~10Klb;0.25t~5t.
- High accuracy.
- Stainless steel construction.
- Low profile and nice exterior.

Accessories

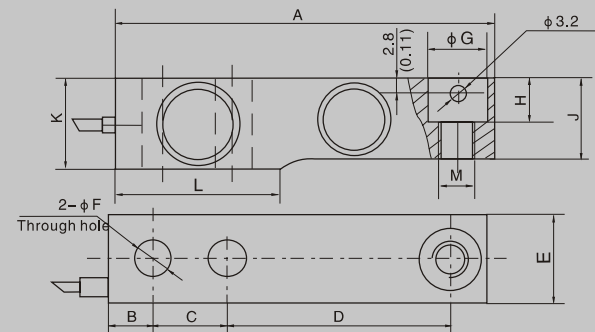
- BJ-8-206
- BJ-8-207
- BM-8-406

Specifications

Capacity	t lb	0.25/0.5/1/2/5 500/1K/2.5K/4K/5K/10K				
		C2	C3	C4	A5M	B10M
Accuracy class	Π_{max}	2000	3000	4000	5000	10000
Maximum number of verification intervals	ν_{min}	$E_{max}/5000$	$E_{max}/7500$	$E_{max}/14000$	$E_{max}/15000$	$E_{max}/10000$
Minimum load cell verification interval	(%FS)	$\leq \pm 0.030$	$\leq \pm 0.020$	$\leq \pm 0.018$	$\leq \pm 0.026$	$\leq \pm 0.050$
Creep	(%FS/30min)	$\leq \pm 0.023$	$\leq \pm 0.016$	$\leq \pm 0.012$	$\leq \pm 0.017$	$\leq \pm 0.040$
Temperature effect on sensitivity	(%FS/10°C)	$\leq \pm 0.017$	$\leq \pm 0.011$	$\leq \pm 0.009$	$\leq \pm 0.013$	$\leq \pm 0.040$
Temperature effect on zero	(%FS/10°C)	$\leq \pm 0.029$	$\leq \pm 0.019$	$\leq \pm 0.010$	$\leq \pm 0.014$	$\leq \pm 0.020$
Output sensitivity	(mv/v)	2.0±0.02				
Input resistance	(Ω)	1000±10			350±3.5	
Output resistance	(Ω)	1004±5			351±2.0	
Insulation resistance	(M Ω)	$\geq 5000(50VDC)$				
Zero balance	(%FS)	1.0				
Temperature, compensated	(°C)	-10~+40				
Temperature, allowed	(°C)	-35~+65				
Excitation, Recommended	(V)	5~12(DC)				
Excitation, Max	(V)	18(DC)				
Safe overload	(%FS)	120				
Ultimate overload	(%FS)	150				

Outline Dimension mm (inch)

Capacity	250kg (500lb)	500kg (1Klb)	1.0t(2Klb) (2.5K)	1.5t,2.0t (4Klb,5Klb)	5.0t (10Klb)
A	130.0 (5.12)	130.0 (5.12)	130.0 (5.12)	130.0 (5.12)	172 (6.71)
B	15.7 (0.62)	15.7 (0.62)	15.7 (0.62)	15.7 (0.62)	19.1 (0.75)
C	25.4 (1.0)	25.4 (1.0)	25.4 (1.0)	25.4 (1.0)	38.1 (1.5)
D	76.2 (3.01)	76.2 (3.0)	76.2 (3.0)	76.2 (3.0)	95.3 (3.75)
E	31.3 (1.23)	31.3 (1.23)	31.3 (1.23)	31.3 (1.23)	37.5 (1.48)
F	13 (0.51)	13 (0.51)	13 (0.51)	13 (0.51)	20.4 (0.8)
G	20.5 (0.81)	20.5 (0.81)	20.5 (0.81)	20.5 (0.81)	30.2 (1.19)
H	14 (0.55)	14 (0.55)	14 (0.55)	14 (0.55)	19.8 (0.78)
J	25.3 (0.99)	26.0 (1.02)	27.95 (1.1)	31.95 (1.26)	40.0 (1.57)
K	31.6 (1.24)	31.6 (1.24)	31.6 (1.24)	35.7 (1.41)	43.8 (1.72)
L	57 (2.24)	57.1 (2.25)	57.1 (2.25)	57.1 (2.25)	76.2 (3.0)
M	M12 1/2-20UNF	M12 1/2-20UNF	M12 1/2-20UNF	M12 1/2-20UNF	M20 3/4-20UNF



Wiring:

- Shielded, 4 conductor cable.
 - Standard cable length:
6m(2t ~ 5t, 4Klb ~ 10Klb)
3m(500kg ~ 1t, 1Klb ~ 2.5Klb).
 - Cable type and cable length for customer's own application are available on request.
- Input(+): Red
Output(-): White
Input(-): Black
Output(+): Green

LOAD CELL B9B1



- B9B1 load cell is available for manifold accurate measurement in the capacity 2t.
- Stainless steel, potted by adhesive inside, oil-proof, waterproof and anti-corrosion, suitable for multiform environments.
- Dual shear beam, easy installation, suitable for electronic truck scale, platform scale and other electronic weighing devices.
- It is safety and anti-explosion product that can be used in atrocious weather and hazardous areas .

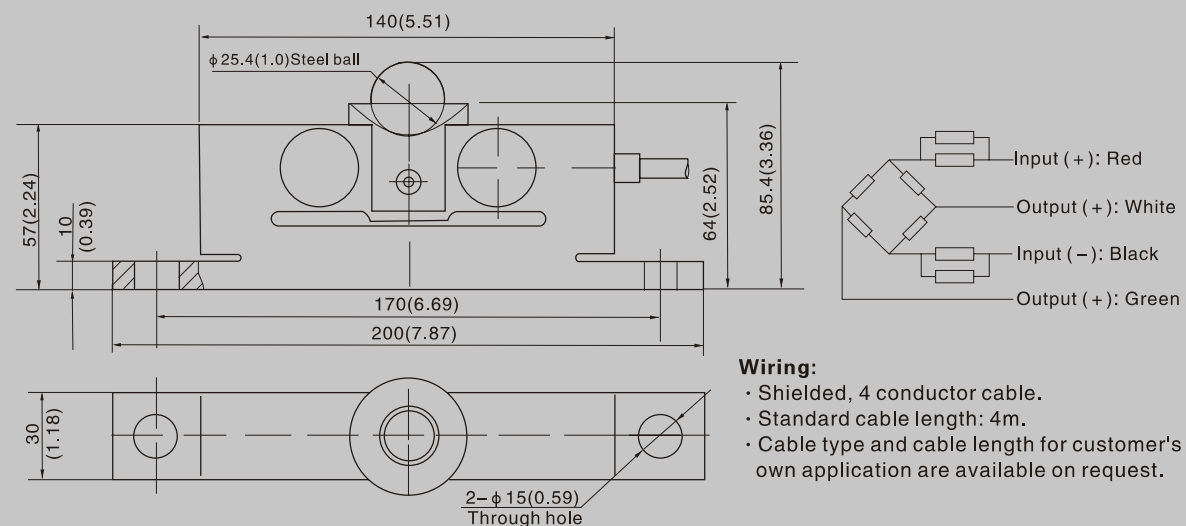
Important Features

- Capacity: 2t.
- High accuracy.
- Stainless steel construction.
- Low profile and nice exterior.

Specifications

Capacity	t	2				
		C1	C2	C3	A5M.	B10M
Accuracy class						
Maximum number of verification intervals	n_{max}	1000	2000	3000	5000	10000
Minimum load cell verification interval	V_{min}	$E_{max}/3000$	$E_{max}/5000$	$E_{max}/7500$	$E_{max}/15000$	$E_{max}/10000$
Combined error	(%FS)	≤ 0.050	≤ 0.030	$\leq \pm 0.020$	$\leq \pm 0.026$	$\leq \pm 0.050$
Creep	(%FS/30min)	≤ 0.038	≤ 0.023	$\leq \pm 0.016$	$\leq \pm 0.017$	$\leq \pm 0.040$
Temperature effect on sensitivity	(%FS/10°C)	≤ 0.028	≤ 0.017	$\leq \pm 0.011$	$\leq \pm 0.013$	$\leq \pm 0.040$
Temperature effect on zero	(%FS/10°C)	≤ 0.047	≤ 0.029	$\leq \pm 0.019$	$\leq \pm 0.014$	$\leq \pm 0.002$
Output sensitivity	(mv/v)	1.2 ± 0.004				
Input resistance	(Ω)	700 ± 7				
Output resistance	(Ω)	703 ± 4				
Insulation resistance	(MΩ)	$\geq 5000(100VDC)$				
Zero balance	(%FS)	2.5				
Temperature, compensated	(°C)	-10 ~ +40				
Temperature, operating	(°C)	-35 ~ +65				
Excitation, Recommended	(V)	5 ~ 12(DC)				
Excitation, Max	(V)	18(DC)				
Safe overload	(%FS)	120				
Ultimate overload	(%FS)	180				

Outline Dimension mm (inch)



Wiring:

- Shielded, 4 conductor cable.
- Standard cable length: 4m.
- Cable type and cable length for customer's own application are available on request.

LOAD CELL HM9B

- HM9B load cells are available for manifold accurate measurement in the capacities 10t to 50t.
- Alloy steel, nickel plated, hermetically sealed oil-proof, waterproof and anti-corrosion, suitable for multiform environments.
- Dual shear beam, suitable for electronic truck scale, track scale and other electronic weighing devices.

Important Features

- Capacities: 10t~50t.
- High accuracy.
- Alloy steel construction.
- Easy installation, reliable performance.
- With OIML approval: (PTB: D09-06.08).

Accessories:

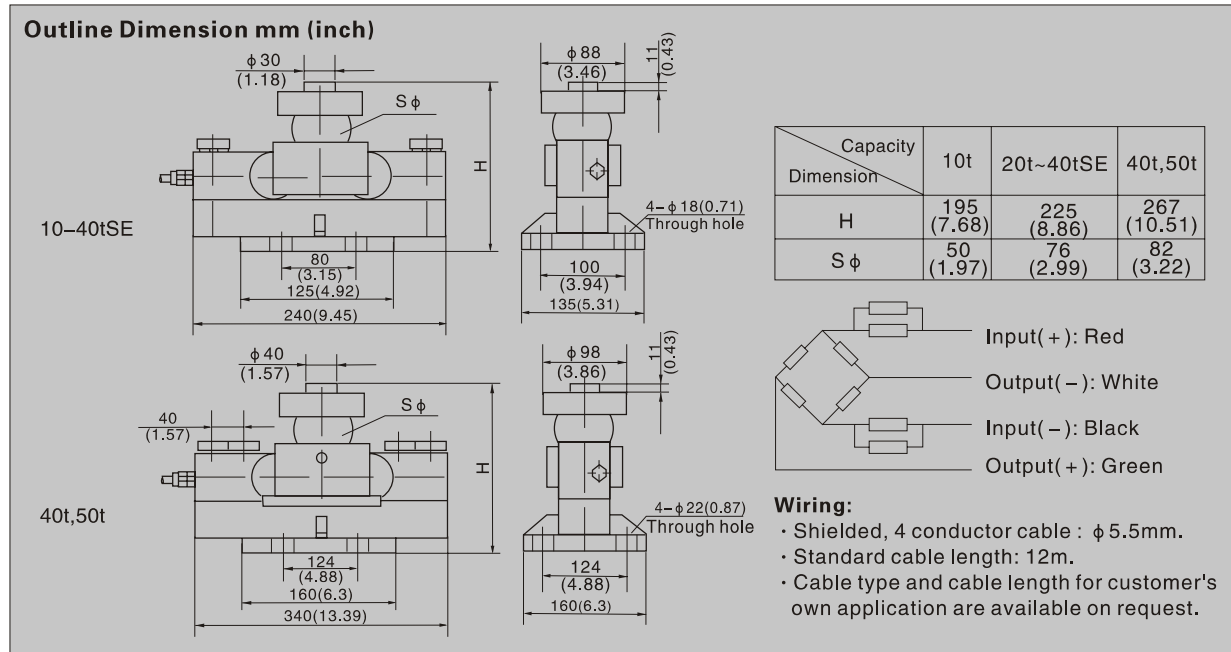
Button, steel ball, cup, base plate.



Specifications

Capacity	t	10/20/25/30/40SE/40/50				
		C1	C2	C3	A5M	B10M
Accuracy class						
Maximum number of verification intervals				OIML R60 C3		
Minimum load cell verification interval	n_{max}	1000	2000	3000	5000	10000
Combined error	V_{min}	$E_{max}/3000$	$E_{max}/5000$	$E_{max}/7500$	$E_{max}/15000$	$E_{max}/10000$
Creep	(%FS)	$\leq \pm 0.050$	$\leq \pm 0.030$	$\leq \pm 0.020$	$\leq \pm 0.026$	$\leq \pm 0.050$
Temperature effect on sensitivity	(%FS/30min)	$\leq \pm 0.038$	$\leq \pm 0.023$	$\leq \pm 0.016$	$\leq \pm 0.017$	$\leq \pm 0.040$
Temperature effect on zero	(%FS/10°C)	$\leq \pm 0.028$	$\leq \pm 0.017$	$\leq \pm 0.011$	$\leq \pm 0.013$	$\leq \pm 0.040$
Output sensitivity	(%FS/10°C)	$\leq \pm 0.047$	$\leq \pm 0.029$	$\leq \pm 0.019$	$\leq \pm 0.014$	$\leq \pm 0.020$
Input resistance	(mv/v)	2.0±0.002				
Output resistance	(Ω)	700±7				
Insulation resistance	(Ω)	703±4				
Zero balance	(MΩ)	≥5000(50VDC)				
Temperature, compensated	(%FS)	1.5				
Temperature, allowed	(°C)	-10 ~ +40				
Excitation, Recommended	(°C)	-35 ~ +65				
Excitation, Max.	(V)	5 ~ 12(DC)				
Safe overload	(V)	18(DC)				
Ultimate overload	(%FS)	120				
Corner correction	(%FS)	150				

Outline Dimension mm (inch)



LOAD CELL B9C



- B9C load cells are available in the capacities 5Klb to 250Klb..
- They offer 17-4PH stainless steel construction, electronic hermetic sealing, oil proof, waterproof, anti-corrosive gas and medium making them suitable for use in all kinds of environments.
- Dual shear beam and they are suitable for truck scale, automobile test facilities, track scale, and other electronic weighing devices.

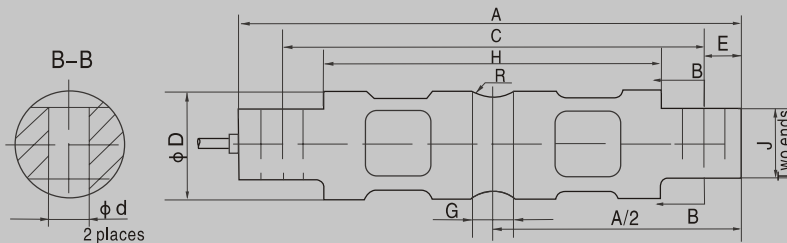
Important Features:

- Capacities: 5Klb-250Klb.
- High accuracy.
- Stainless steel construction.
- Easy installation and reliable performance.

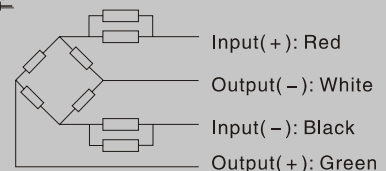
Specifications

Capacity	Klb	5/10/15/20/30/40/50/60/75/90/100/150/200/250			
Accuracy class		C2	CC3	A5M	B10M
Maximum number of verification intervals	\bar{n}_{max}	2000	3000	5000	10000
Minimum load cell verification interval	V_{min}	Emax/5000	Emax/7500	Emax/15000	Emax/10000
Combined error	(%FS)	$\leq \pm 0.030$	$\leq \pm 0.020$	$\leq \pm 0.026$	$\leq \pm 0.050$
Creep	(%FS/30min)	$\leq \pm 0.023$	$\leq \pm 0.016$	$\leq \pm 0.017$	$\leq \pm 0.040$
Temperature effect on sensitivity	(%FS/10°C)	$\leq \pm 0.017$	$\leq \pm 0.011$	$\leq \pm 0.013$	$\leq \pm 0.040$
Temperature effect on zero	(%FS/10°C)	$\leq \pm 0.029$	$\leq \pm 0.019$	$\leq \pm 0.014$	$\leq \pm 0.020$
Output sensitivity	(mv/v)	3.0 ± 0.003			
Input resistance	(Ω)	700 ± 7			
Output resistance	(Ω)	703 ± 4			
Insulation resistance	(MΩ)	≥ 5000(50VDC)			
Zero balance	(%FS)	1.0			
Temperature, compensated	(°C)	-10 ~ +40			
Temperature, operating	(°C)	-35 ~ +65			
Excitation, Recommended	(V)	5 ~ 12(DC)			
Excitation, Max	(V)	18(DC)			
Safe overload	(%FS)	120			
Ultimate overload	(%FS)	150			

Outline Dimension mm (inch)



Dimension Capacity (kg)	A	C	H	G	φD	J	φd	R	E
5~10	206.2 (8.12)	174.6 (6.88)	133.1 (5.24)	15.7 (0.62)	φ43.2 (1.7)	28.4 (1.12)	φ16.7 (0.66)	R12.7 (0.5)	15.7 (0.62)
15~20	206.2 (8.12)	174.6 (6.88)	133.1 (5.24)	21.3 (0.84)	φ49.5 (1.95)	28.4 (1.12)	φ16.7 (0.66)	R12.7 (0.5)	15.7 (0.62)
30~75	260.4 (10.25)	215.9 (8.5)	165.1 (6.5)	25.4 (1.0)	φ76.2 (3.0)	60.2 (2.37)	φ26.9 (1.06)	R25.4 (1.0)	22.4 (0.88)
90~100	285.8 (11.25)	241.3 (9.5)	190.2 (7.49)	31.0 (1.22)	φ88.9 (3.5)	63.5 (2.5)	φ26.9 (1.06)	R38.1 (1.5)	22.4 (0.88)
150	285.8 (11.25)	241.3 (9.5)	190.2 (7.49)	31.0 (1.22)	φ99.1 (3.9)	71.1 (2.8)	φ26.9 (1.06)	R38.1 (1.5)	22.4 (0.88)
200~250	408.9 (16.1)	330.3 (13.0)	254.0 (10.0)	31.7 (1.25)	φ136.6 (5.38)	116.8 (4.6)	φ39.6 (1.56)	R50.8 (2.0)	39.4 (1.55)



Wiring:

- Shielded, 4 conductor cable: φ 5mm(5k-20k) φ 8mm(30k-250k).
- Standard cable length: 9m.
- Cable type and cable length for customer's own application are available on request.

LOAD CELL H9C



- H9C load cells are available in the capacities 5Klb to 250Klb.
- Alloy steel, complete hermetical sealing, oil-proof, waterproof and resistance for normal corrosive gas or medium, suitable for multiform environments.
- Dual shear beam, easy installation, suitable for electronic truck scale, track scale, automobile test line and other electronic weighing devices.

Important Features:

- Capacities: 5Klb~250Klb.
- High accuracy.
- Alloy steel construction.
- Easy installation and reliable performance.
- With OIML approval: (PTB: D09-07.07).
- With NTEP approval: (Certificate No.: CC 07-018).

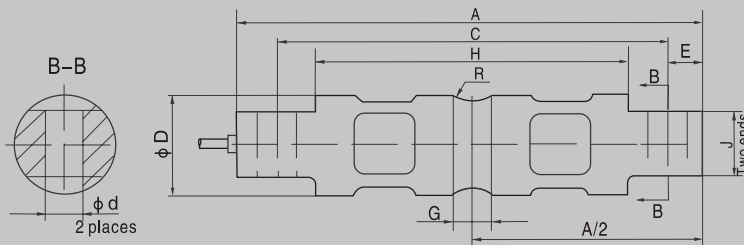
Accessory:

- HM-9-401

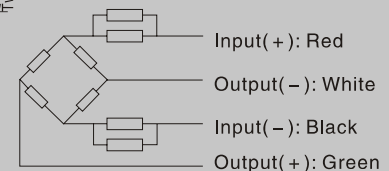
Specifications

Capacity	Klb	5/10/20/30/40/50/60/75/100/150/200/250					
Accuracy class		C1	C2	C3	C4	A5M	B10M
Approvals				OIML R60 C3	OIML R60 C4	III 5000 Single	III L10000 Multi
Maximum number of verification intervals	n_{max}	1000	2000	3000	4000	5000	10000
Minimum load cell verification interval	V_{min}	Emax/3000	Emax/5000	Emax/7500	Emax/14000	Emax/15000	Emax/10000
Combined error	(%FS)	$\leq \pm 0.050$	$\leq \pm 0.030$	$\leq \pm 0.020$	$\leq \pm 0.018$	$\leq \pm 0.026$	$\leq \pm 0.050$
Creep	(%FS/30min)	$\leq \pm 0.038$	$\leq \pm 0.023$	$\leq \pm 0.016$	$\leq \pm 0.012$	$\leq \pm 0.017$	$\leq \pm 0.040$
Temperature effect on sensitivity	(%FS/10°C)	$\leq \pm 0.028$	$\leq \pm 0.017$	$\leq \pm 0.011$	$\leq \pm 0.009$	$\leq \pm 0.013$	$\leq \pm 0.040$
Temperature effect on zero	(%FS/10°C)	$\leq \pm 0.047$	$\leq \pm 0.029$	$\leq \pm 0.019$	$\leq \pm 0.010$	$\leq \pm 0.014$	$\leq \pm 0.020$
Output sensitivity	(mv/v)	3.0 ± 0.003					
Input resistance	(Ω)	700 ± 7					
Output resistance	(Ω)	703 ± 4					
Insulation resistance	(M Ω)	$\geq 5000(50VDC)$					
Zero balance	(%FS)	1.0					
Temperature, compensated	(°C)	$-10 \sim +40$					
Temperature, allowed	(°C)	$-35 \sim +65$					
Excitation, Recommended	(V)	$5 \sim 12(DC)$					
Excitation, Max.	(V)	$18(DC)$					
Safe overload	(%FS)	120					
Ultimate overload	(%FS)	150					

Outline Dimension mm(inch)



Dimension Capacity (kg)	A	C	H	G	ϕD	J	ϕd	R	E
5~10	206.2 (8.12)	174.6 (6.88)	133.1 (5.24)	15.7 (0.62)	$\phi 43.2$ (1.7)	28.4 (1.12)	$\phi 16.7$ (0.66)	R12.7 (0.5)	15.7 (0.62)
20	206.2 (8.12)	174.6 (6.88)	133.1 (5.24)	21.3 (0.84)	$\phi 49.5$ (1.95)	28.4 (1.12)	$\phi 16.7$ (0.66)	R12.7 (0.5)	15.7 (0.62)
30~75	260.4 (10.25)	215.9 (8.5)	165.1 (6.5)	25.4 (1.0)	$\phi 76.2$ (3.0)	60.2 (2.37)	$\phi 26.9$ (1.06)	R25.4 (1.0)	22.4 (0.88)
100	285.8 (11.25)	241.3 (9.5)	190.2 (7.49)	31.0 (1.22)	$\phi 88.9$ (3.5)	63.5 (2.5)	$\phi 26.9$ (1.06)	R38.1 (1.5)	22.4 (0.88)
150	285.8 (11.25)	241.3 (9.5)	190.2 (7.49)	31.0 (1.22)	$\phi 99.1$ (3.9)	71.1 (2.8)	$\phi 26.9$ (1.06)	R38.1 (1.5)	22.4 (0.88)
200~250	408.9 (16.1)	330.3 (13.0)	254.0 (10.0)	31.7 (1.25)	$\phi 136.6$ (5.38)	116.8 (4.6)	$\phi 39.6$ (1.56)	R50.8 (2.0)	39.4 (1.55)



Wiring:

- Shielded, 4 conductor cable: $\phi 5mm(5K-20K)$ $\phi 8mm(30K-250K)$.
- Standard cable length: 9.3m.
- Cable type and cable length for customer's own application are available on request.

LOAD CELL HM9C



- HM9C load cells are available in the capacities 5Klb to 250Klb.
- Alloy steel, complete welded, oil-proof, waterproof and resistance for normal corrosive gas or medium, suitable for multiform environments.
- Dual shear beam, suitable for electronic truck scale, track scale, automobile test line and other electronic weighing devices.

Important Features:

- Capacities: 5Klb ~ 250Klb.
- High accuracy.
- Alloy steel construction.
- Easy installation and reliable performance.
- With OIML approval: (PTB: D09-06.46).

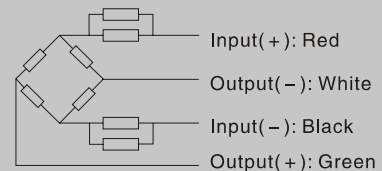
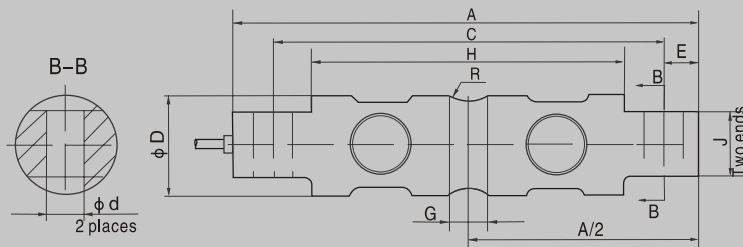
Accessories:

- HM-9-401 HM-9-405

Specifications

Capacity	Klb	5/10/20/30/40/50/60/75/100/150/200/250			
Accuracy class		C2	C3	A5M	B10M
Approvals			OIML R60 C3		
Maximum number of verification intervals	n_{max}	2000	3000	5000	10000
Minimum load cell verification interval	v_{min}	$E_{max}/5000$	$E_{max}/7500$	$E_{max}/15000$	$E_{max}/10000$
Combined error	(%FS)	$\leq \pm 0.030$	$\leq \pm 0.020$	$\leq \pm 0.026$	$\leq \pm 0.050$
Creep	(%FS/30min)	$\leq \pm 0.023$	$\leq \pm 0.016$	$\leq \pm 0.017$	$\leq \pm 0.040$
Temperature effect on sensitivity	(%FS/10°C)	$\leq \pm 0.017$	$\leq \pm 0.011$	$\leq \pm 0.013$	$\leq \pm 0.040$
Temperature effect on zero	(%FS/10°C)	$\leq \pm 0.029$	$\leq \pm 0.019$	$\leq \pm 0.014$	$\leq \pm 0.020$
Output sensitivity	(mv/v)	3.0 ± 0.008			
Input resistance	(Ω)	700 ± 7			
Output resistance	(Ω)	703 ± 4			
Insulation resistance	(MΩ)	≥ 5000(50VDC)			
Zero balance	(%FS)	1.0			
Temperature, compensated	(°C)	-10 ~ +40			
Temperature, allowed	(°C)	-35 ~ +65			
Excitation, Recommended	(V)	5 ~ 12(DC)			
Excitation, Max.	(V)	18(DC)			
Safe overload	(%FS)	120			
Ultimate overload	(%FS)	150			

Outline Dimension mm (inch)

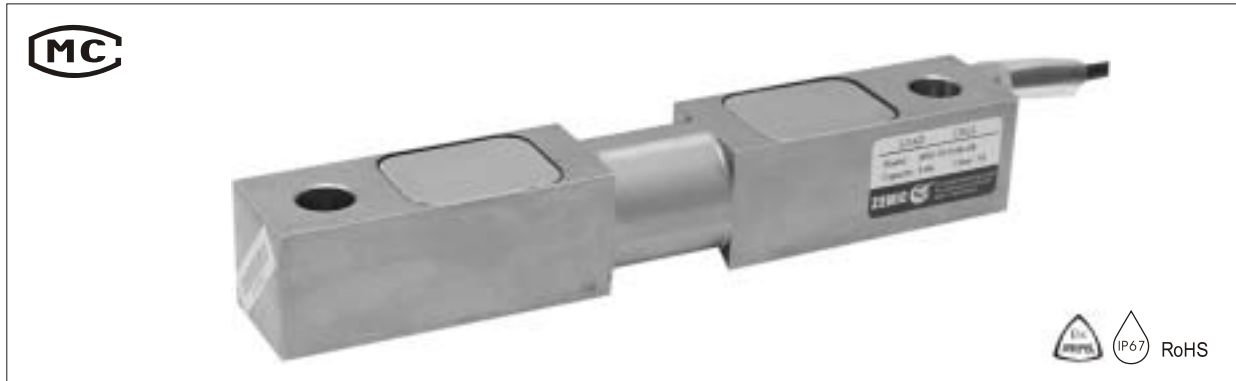


Dimension / Capacity	A	C	H	G	φD	J	φd	R	E
5~10	206.2 (8.12)	174.6 (6.88)	133.1 (5.24)	15.7 (0.62)	φ 43.2 (1.7)	28.4 (1.12)	φ 16.7 (0.66)	R12.7 (0.5)	15.7 (0.62)
20	206.2 (8.12)	174.6 (6.88)	133.1 (5.24)	21.3 (0.84)	φ 49.5 (1.95)	28.4 (1.12)	φ 16.7 (0.66)	R12.7 (0.5)	15.7 (0.62)
30~75	260.0 (10.25)	215.9 (8.5)	165.1 (6.5)	25.4 (1.0)	φ 76.2 (3.0)	60.2 (2.37)	φ 26.9 (1.06)	R25.4 (1.0)	22.4 (0.88)
100	285.8 (11.25)	241.3 (9.5)	190.2 (7.49)	31.0 (1.22)	φ 88.9 (3.5)	63.5 (2.5)	φ 26.9 (1.06)	R38.1 (1.5)	22.4 (0.88)
150	285.8 (11.25)	241.3 (9.5)	190.2 (7.49)	31.0 (1.22)	φ 99.1 (3.9)	71.1 (2.8)	φ 26.9 (1.06)	R38.1 (1.5)	22.4 (0.88)
200~250	408.9 (16.1)	330.3 (13.0)	254.0 (10.0)	31.7 (1.25)	φ 136.6 (5.38)	116.8 (4.6)	φ 39.6 (1.56)	R50.8 (2.0)	39.4 (1.55)

Wiring:

- Shielded, 4 conductor cable: φ 5mm(5K-20K) φ 8mm(30K-250K).
- Standard cable length: 9.3m.
- Cable type and cable length for customer's own application are available on request.

LOAD CELL B9D



- B9D load cells are available in the capacities 1Klb to 75Klb.
- They offer 17-4PH stainless steel construction, electronic hermetic sealing, oil proof, waterproof, anti-corrosive gas and medium making them suitable for use in all kinds of environments.
- Dual shear beam and they are suitable for truck scale, automobile test facilities, track scale, and other electronic weighing devices.

Important Features:

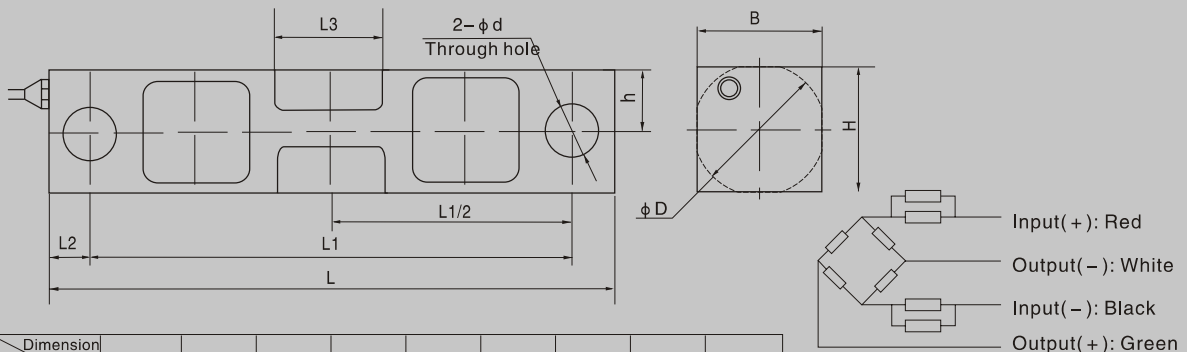
- Capacities: 1Klb~75Klb.
- High accuracy.
- Stainless steel construction.
- Easy installation and reliable performance

Accessory • BM-9-404

Specifications

Maximum capacity	Klb	1/1.5/2/2.5/4/5/10/15/20/25/35/50/75			
		C2	C3	A5M	B10M
Accuracy class					
Maximum number of verification intervals	\bar{n}_{max}	2000	3000	5000	10000
Minimum load cell verification interval	V_{min}	$E_{max}/5000$	$E_{max}/7500$	$E_{max}/15000$	$E_{max}/10000$
Combined error	(%FS)	$\leq \pm 0.030$	$\leq \pm 0.020$	$\leq \pm 0.026$	$\leq \pm 0.050$
Creep	(%FS/30min)	$\leq \pm 0.023$	$\leq \pm 0.016$	$\leq \pm 0.017$	$\leq \pm 0.040$
Temperature effect on span	(%FS/10°C)	$\leq \pm 0.017$	$\leq \pm 0.011$	$\leq \pm 0.013$	$\leq \pm 0.040$
Temperature effect on zero	(%FS/10°C)	$\leq \pm 0.029$	$\leq \pm 0.019$	$\leq \pm 0.014$	$\leq \pm 0.020$
Output sensitivity	(mv/v)	3.0 ± 0.008			
Input resistance	(Ω)	700 ± 7			
Output resistance	(Ω)	703 ± 4			
Insulation resistance	(MΩ)	≥ 5000(50VDC)			
Zero balance	(%FS)	1.0			
Temperature, compensated	(°C)	-10 ~ +40			
Temperature, operating	(°C)	-35 ~ +65			
Excitation, Recommended	(V)	5 ~ 12(DC)			
Excitation, Max	(V)	18(DC)			
Safe Overload	(%FS)	120			
Ultimate Overload	(%FS)	150			

Outline Dimension mm(inch)

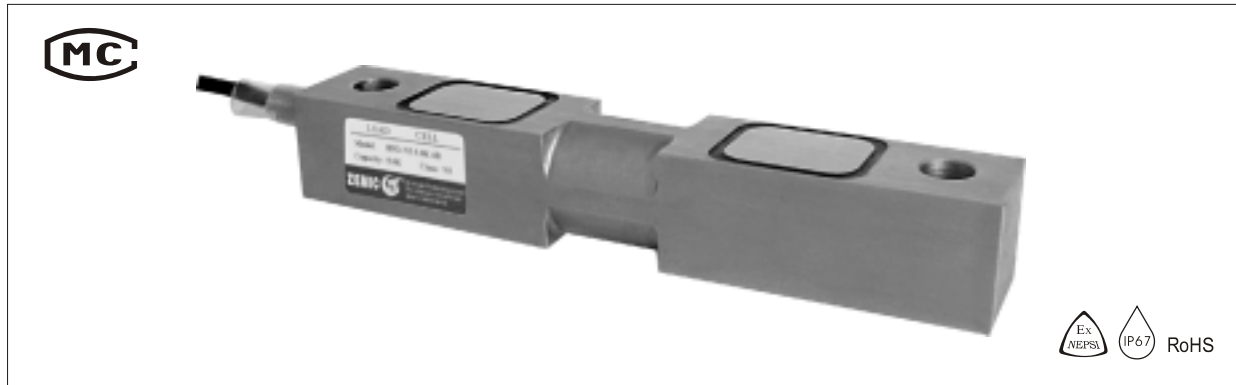


Dimension	L	L1	L2	L3	H	h	B	φ D	φ d
Capacity									
1-5	109.5 (7.5)	158.75 (6.25)	15.9 (0.63)	30.48 (1.2)	30.99 (1.22)	16.76 (0.66)	30.99 (1.22)	31.5 (1.24)	12.7 (0.5)
10-35	222.25 (8.75)	190.5 (7.5)	15.9 (0.63)	41.15 (1.62)	49.15 (1.94)	24.58 (0.97)	36.45 (1.44)	50.8 (2.0)	20.57 (0.81)
50-75	342.9 (13.5)	292.1 (11.5)	25.4 (1.0)	82.55 (3.25)	74.68 (2.94)	37.34 (1.47)	61.98 (2.44)	75.95 (2.99)	33.32 (1.31)

Wiring:

- Shielded, 4 conductor cable: φ 5mm.
- Standard cable length: 6m.
- Cable type and cable length for customer's own application are available on request.

LOAD CELL H9D



- H9D load cells are available in the capacities 1Klb to 75Klb.
- Alloy steel, complete hermetical sealing, oil-proof, waterproof and resistance for normal corrosive gas or medium, suitable for multiform environments.
- Dual shear beam, easy for installation, suitable for electronic truck scale, track scale, automobile test line and other electronic weighing devices.

Important Features:

- Capacities: 1Klb ~ 75Klb.
- High accuracy.
- Alloy steel construction.
- Easy installation and reliable performance.

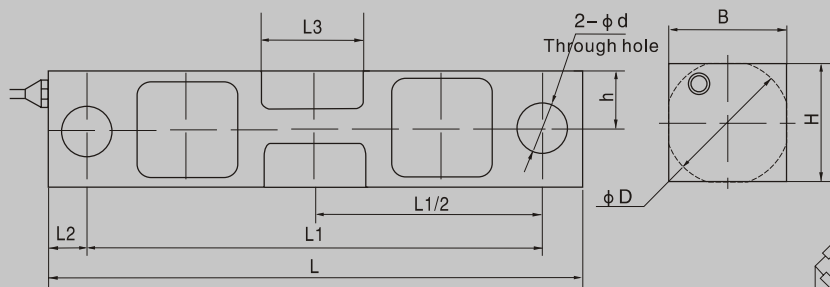
Accessory:

- HM-9-403

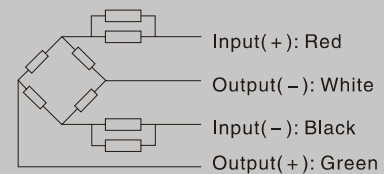
Specifications

Capacity	Klb	1/1.5/2/2.5/4/5/10/15/20/25/35/50/75				
		C1	C2	C3	A5M	B10M
Accuracy class		C1	C2	C3	A5M	B10M
Maximum number of verification intervals	Π_{max}	1000	2000	3000	5000	10000
Minimum load cell verification interval	V_{min}	$E_{max}/3000$	$E_{max}/7500$	$E_{max}/15000$	$E_{max}/10000$	$E_{max}/7500$
Combined error	(%FS)	$\leq \pm 0.050$	$\leq \pm 0.030$	$\leq \pm 0.020$	$\leq \pm 0.026$	$\leq \pm 0.050$
Creep	(%FS/30min)	$\leq \pm 0.038$	$\leq \pm 0.024$	$\leq \pm 0.016$	$\leq \pm 0.017$	$\leq \pm 0.040$
Temperature effect on sensitivity	(%FS/10°C)	$\leq \pm 0.028$	$\leq \pm 0.017$	$\leq \pm 0.011$	$\leq \pm 0.013$	$\leq \pm 0.040$
Temperature effect on zero	(%FS/10°C)	$\leq \pm 0.047$	$\leq \pm 0.023$	$\leq \pm 0.015$	$\leq \pm 0.014$	$\leq \pm 0.020$
Output sensitivity	(mv/v)	3.0 ± 0.008				
Input resistance	(Ω)	700 ± 7				
Output resistance	(Ω)	703 ± 4				
Insulation resistance	(MΩ)	≥ 5000(50VDC)				
Zero balance	(%FS)	1.0				
Temperature, compensated	(°C)	-10 ~ +40				
Temperature, allowed	(°C)	-35 ~ +65				
Excitation, Recommended	(V)	5 ~ 12(DC)				
Excitation, Max.	(V)	18(DC)				
Safe overload	(%FS)	120				
Ultimate overload	(%FS)	150				

Outline Dimension mm (inch)



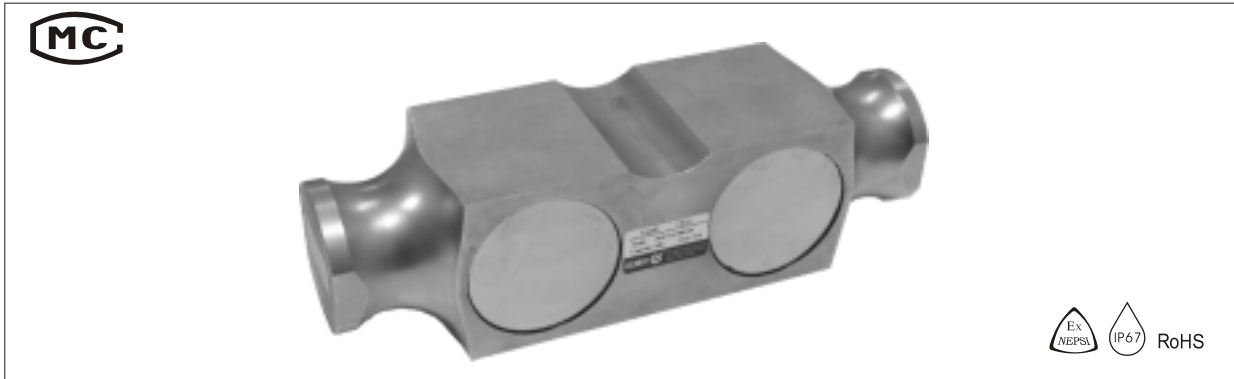
Dimension \ Capacity	L	L1	L2	L3	H	h	B	φ D	φ d
5~10	190.5 (7.5)	158.75 (6.25)	15.9 (0.63)	30.48 (1.2)	30.99 (1.22)	16.76 (0.66)	30.99 (1.22)	31.5 (1.24)	12.7 (0.5)
10~35	222.25 (8.75)	190.5 (7.5)	15.9 (0.63)	41.15 (1.62)	49.15 (1.94)	24.58 (0.97)	36.45 (1.44)	50.8 (2.0)	20.57 (0.81)
50~75	342.9 (13.5)	292.1 (11.5)	25.4 (1.0)	82.55 (3.25)	74.68 (2.94)	37.34 (1.47)	61.98 (2.44)	75.95 (2.99)	33.32 (1.31)



Wiring:

- Shielded, 4 conductor cable: φ 5mm.
- Standard cable length: 6m.
- Cable type and cable length for customer's own application are available on request.

LOAD CELL B9E



- B9E load cells are available in the capacities 50Klb to 150Klb.
- They offer 17-4PH stainless steel construction, electronic hermetic sealing, oil proof, waterproof, anti-corrosive gas and medium making them suitable for use in all kinds of environments.
- Dual shear beam and they are suitable for truck scale, hopper scale and other electronic weighing devices.

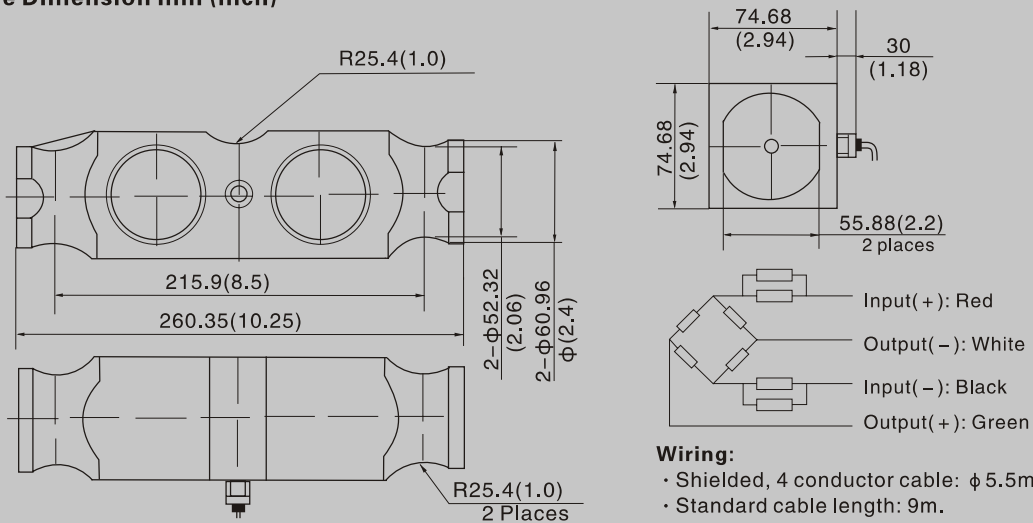
Important Features:

- Capacities: 50Klb ~150Klb.
- High accuracy.
- Stainless steel construction.
- Easy installation and reliable performance.

Specifications

Capacity	Klb	50/60/65/75/100/125/150			
		C2	C3	A5M	B10M
Accuracy class		C2	C3	A5M	B10M
Maximum number of verification intervals	Π_{max}	2000	3000	5000	10000
Minimum load cell verification interval	V_{min}	$E_{max}/5000$	$E_{max}/7500$	$E_{max}/15000$	$E_{max}/10000$
Combined error	(%FS)	$\leq \pm 0.030$	$\leq \pm 0.020$	$\leq \pm 0.026$	$\leq \pm 0.050$
Creep	(%FS/30min)	$\leq \pm 0.023$	$\leq \pm 0.016$	$\leq \pm 0.017$	$\leq \pm 0.040$
Temperature effect on sensitivity	(%FS/10°C)	$\leq \pm 0.017$	$\leq \pm 0.011$	$\leq \pm 0.013$	$\leq \pm 0.040$
Temperature effect on zero	(%FS/10°C)	$\leq \pm 0.029$	$\leq \pm 0.019$	$\leq \pm 0.014$	$\leq \pm 0.020$
Output sensitivity	(mv/v)	3.0 ± 0.003			
Input resistance	(Ω)	700 ± 7			
Output resistance	(Ω)	703 ± 4			
Insulation resistance	(MΩ)	≥ 5000(50VDC)			
Zero balance	(%FS)	1.0			
Temperature, compensated	(°C)	-10 ~ +40			
Temperature, operating	(°C)	-35 ~ +65			
Excitation, Recommended	(V)	5 ~ 12(DC)			
Excitation, Max	(V)	18(DC)			
Safe overload	(%FS)	120			
Ultimate overload	(%FS)	150			

Outline Dimension mm (inch)



Wiring:

- Shielded, 4 conductor cable: φ 5.5mm.
- Standard cable length: 9m.
- Cable type and cable length for customer's own application are available on request.

LOAD CELL HM9E



- HM9E load cells are available in the capacities 5Klb to 250Klb and 20t to 100t.
- Alloy steel, nickel plated, complete welded, oil-proof, waterproof and resistance for normal corrosive gas or medium, suitable for multiform environments.
- Dual shear beam, suitable for electronic truck scale, track scale, and other electronic weighing devices.

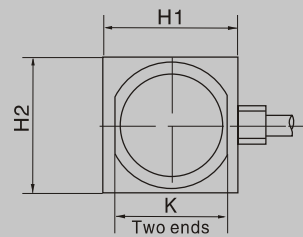
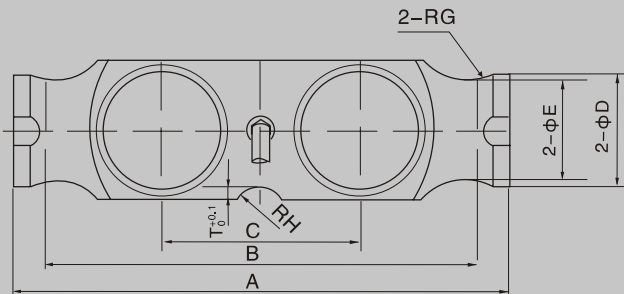
Important Features:

- Capacities: 5Klb ~ 250Klb.
- High accuracy.
- Alloy steel construction.
- Easy installation and reliable performance.

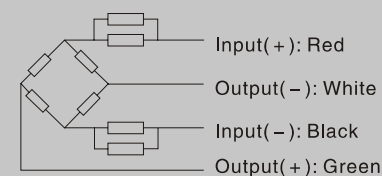
Specifications

Capacity	Klb	50/60/65/75/100/125/150/200/250 (20/30/40/45/50/60/100)				
Accuracy class		C1	C2	C3	A5M	B10M
Maximum number of verification intervals	n_{max}	1000	2000	3000	5000	10000
Minimum load cell verification interval	V_{min}	$E_{max}/3000$	$E_{max}/5000$	$E_{max}/7500$	$E_{max}/15000$	$E_{max}/10000$
Combined error	(%FS)	$\leq \pm 0.050$	$\leq \pm 0.030$	$\leq \pm 0.020$	$\leq \pm 0.026$	$\leq \pm 0.050$
Creep	(%FS/30min)	$\leq \pm 0.038$	$\leq \pm 0.023$	$\leq \pm 0.016$	$\leq \pm 0.017$	$\leq \pm 0.040$
Temperature effect on span	(%FS/10°C)	$\leq \pm 0.028$	$\leq \pm 0.017$	$\leq \pm 0.011$	$\leq \pm 0.013$	$\leq \pm 0.040$
Temperature effect on zero	(%FS/10°C)	$\leq \pm 0.047$	$\leq \pm 0.029$	$\leq \pm 0.019$	$\leq \pm 0.014$	$\leq \pm 0.020$
Output sensitivity	(mv/v)	3.0 ± 0.003				
Input resistance	(Ω)	700 ± 7				
Output resistance	(Ω)	703 ± 4				
Insulation resistance	(MΩ)	≥ 5000(50VDC)				
Zero balance	(%FS)	1.0				
Temperature, compensated	(°C)	-10 ~ +40				
Temperature, operating	(°C)	-35 ~ +65				
Excitation, Recommended	(V)	5 ~ 12(DC)				
Excitation, Max	(V)	18(DC)				
Safe overload	(%FS)	120				
Ultimate overload	(%FS)	150				

Outline Dimension mm (inch)



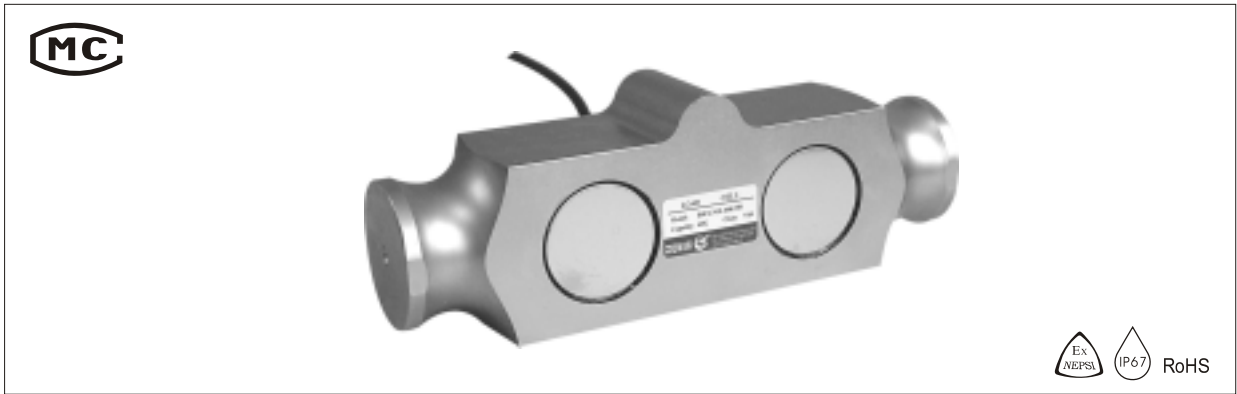
Dimension	A	B	C	D	E	F	G	T	H1	H2	K
Capacity											
20t, 30t, 40t, 45t, 50t, 60t, 50K, 60K, 65K, 75K, 100K, 125K	260.5 (10.24)	215.9 (8.5)	101.6 (4.0)	φ 61 (2.4)	52.32 (2.06)	25.4 (1.0)	25.4 (1.0)	7 (0.28)	76 (2.99)	76.2 (3.0)	55.9 (2.2)
100t 150K, 200K, 250K	304.8 (11.97)	254 (10.0)	111.8 (4.4)	φ 70 (2.76)	59.69 (2.35)	38.1 (1.5)	38.1 (1.5)	10 (0.39)	86.1 (3.39)	86.36 (3.4)	63.5 (2.5)



Wiring:

- Shielded, 4 conductor cable: φ 5mm(5K-20K) φ 8mm(30K-250K).
- Standard cable length: 9.3m.
- Cable type and cable length for customer's own application are available on request.

LOAD CELL B9F



- B9F load cells are available in the capacities 10Klb to 75Klb.
- They offer 17-4PH stainless steel construction, complete hermetic sealing, oil proof, waterproof, anti-corrosive gas and medium making them suitable for use in all kinds of environments.
- Dual shear beam and they are suitable for truck scale, track scale, hopper scale and other electronic weighing devices.

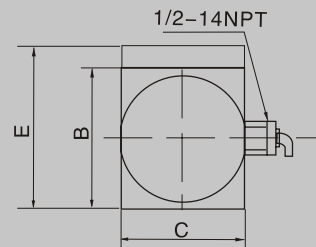
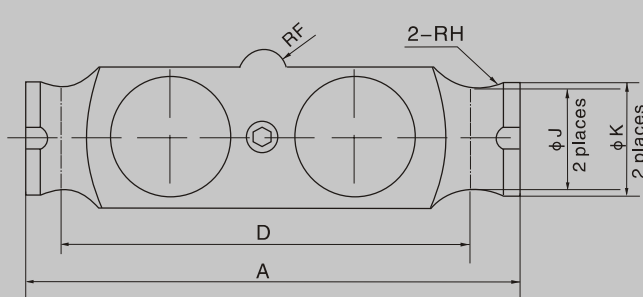
Important Features:

- Capacities: 10Klb~ 75Klb.
- High accuracy.
- Stainless steel construction.
- Easy installation and reliable performance.

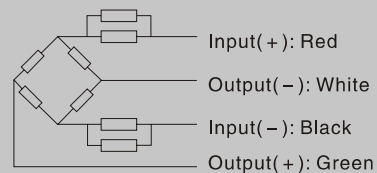
Specifications

Capacity	Klb	10/15/20/25/30/40/50/60/75			
		C2	C3	A5M	B10M
Accuracy class					
Maximum number of verification intervals	Π_{max}	2000	3000	5000	10000
Minimum load cell verification interval	V_{min}	$E_{max}/5000$	$E_{max}/5000$	$E_{max}/15000$	$E_{max}/10000$
Combined error	(%FS)	$\leq \pm 0.030$	$\leq \pm 0.020$	$\leq \pm 0.026$	$\leq \pm 0.050$
Creep	(%FS/30min)	$\leq \pm 0.023$	$\leq \pm 0.016$	$\leq \pm 0.017$	$\leq \pm 0.040$
Temperature effect on sensitivity	(%FS/10°C)	$\leq \pm 0.017$	$\leq \pm 0.011$	$\leq \pm 0.013$	$\leq \pm 0.040$
Temperature effect on zero	(%FS/10°C)	$\leq \pm 0.029$	$\leq \pm 0.019$	$\leq \pm 0.014$	$\leq \pm 0.020$
Output sensitivity	(mv/v)	3.0 ± 0.003			
Input resistance	(Ω)	700 ± 7			
Output resistance	(Ω)	703 ± 4			
Insulation resistance	(MΩ)	≥ 5000(50VDC)			
Zero balance	(%FS)	1.0			
Temperature, compensated	(°C)	-10 ~ +40			
Temperature, operating	(°C)	-35 ~ +65			
Excitation, Recommended	(V)	5 ~ 12(DC)			
Excitation, Max	(V)	18(DC)			
Safe overload	(%FS)	120			
Ultimate overload	(%FS)	150			

Outline Dimension mm (inch)



Capacity	A	B	C	D	E	F	H	J	K
10 ~ 25	203.2 (8.0)	49.28 (1.94)	36.58 (1.44)	180.95 (7.12)	58.8 (2.31)	9.52 (0.38)	9.53 (0.37)	φ 20.32 (0.8)	φ 25.4 (1.0)
40 ~ 75	215.9 (8.5)	62.23 (2.45)	49.53 (1.95)	184.15 (7.25)	76.1 (3.0)	12.7 (0.5)	19.05 (0.75)	φ 44.45 (1.75)	φ 50.8 (2.0)



Wiring:

- Shielded, 4 conductor cable: φ 5.5mm.
- Standard cable length: 9m.
- Cable type and cable length for customer's own application are available on request.

LOAD CELL B9H

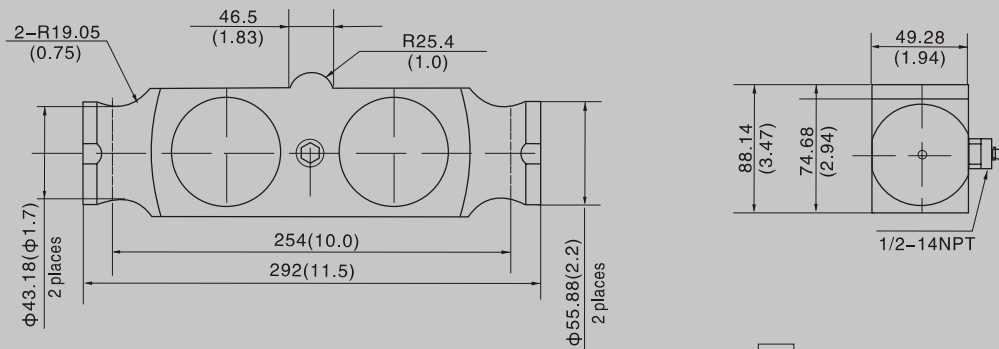


- B9H load cells are available in the capacities 50Klb to 100Klb.
 - They offer 17–4PH stainless steel construction, electronic hermetic sealing, oil proof, waterproof, anti-corrosive gas and medium making them suitable for use in all kinds of environments.
 - Dual shear beam and they are suitable for truck scale, track scale and other electronic weighing devices.
- Important Features:**
- Capacities: 50Klb~100Klb.
 - High accuracy.
 - Stainless steel construction.
 - Easy installation and reliable performance.

Specifications

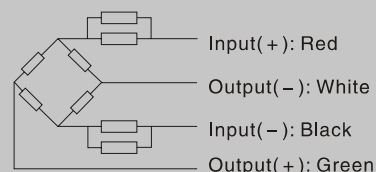
Capacity	Klb	50/60/75/100			
		C2	C3	A5M	B10M
Accuracy class					
Maximum number of verification intervals	\bar{n}_{max}	2000	3000	5000	10000
Minimum load cell verification interval	V_{min}	$E_{max}/5000$	$E_{max}/7500$	$E_{max}/15000$	$E_{max}/10000$
Combined error	(%FS)	$\leq \pm 0.030$	$\leq \pm 0.020$	$\leq \pm 0.026$	$\leq \pm 0.050$
Creep	(%FS/30min)	$\leq \pm 0.023$	$\leq \pm 0.016$	$\leq \pm 0.017$	$\leq \pm 0.040$
Temperature effect on sensitivity	(%FS/10°C)	$\leq \pm 0.017$	$\leq \pm 0.011$	$\leq \pm 0.013$	$\leq \pm 0.040$
Temperature effect on zero	(%FS/10°C)	$\leq \pm 0.029$	$\leq \pm 0.019$	$\leq \pm 0.014$	$\leq \pm 0.020$
Output sensitivity	(mv/v)	3.0 ± 0.003			
Input resistance	(Ω)	700 ± 7			
Output resistance	(Ω)	703 ± 4			
Insulation resistance	(MΩ)	≥ 5000(50VDC)			
Zero balance	(%FS)	1.0			
Temperature, compensated	(°C)	-10 ~ +40			
Temperature, operating	(°C)	-35 ~ +65			
Excitation, Recommended	(V)	5 ~ 12(DC)			
Excitation, Max	(V)	18(DC)			
Safe overload	(%FS)	120			
Ultimate overload	(%FS)	150			

Outline Dimension mm (inch)

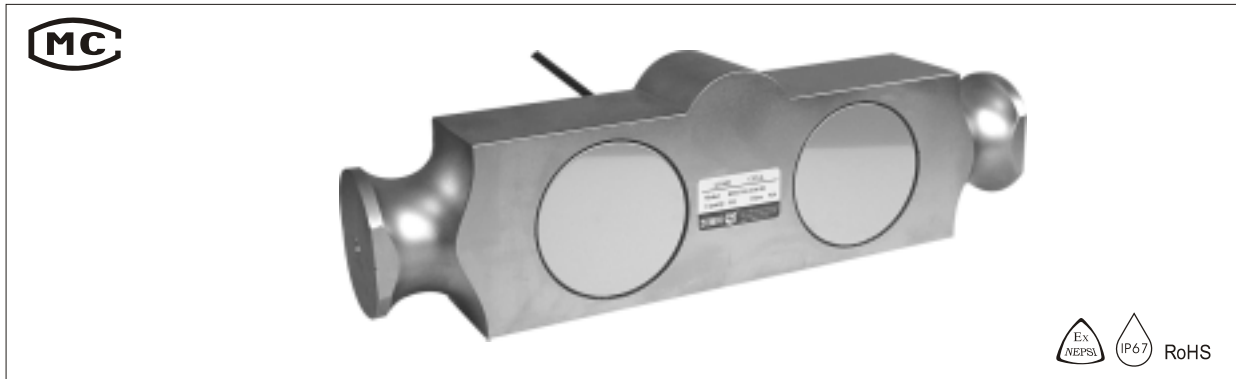


Wiring:

- Shielded, 4 conductor cable: ϕ 5.5mm.
- Standard cable length: 9m.
- Cable type and cable length for customer's own application are available on request.



LOAD CELL H9H



- H9H load cells are available in the capacities 50Klb to 100Klb.
- Alloy steel, nickel plated, potted by adhesive inside, oil-proof, waterproof and anti-corrosion, suitable for multiform environments.
- Dual shear beam, suitable for electronic truck scale, track scale and other electronic weighing devices.

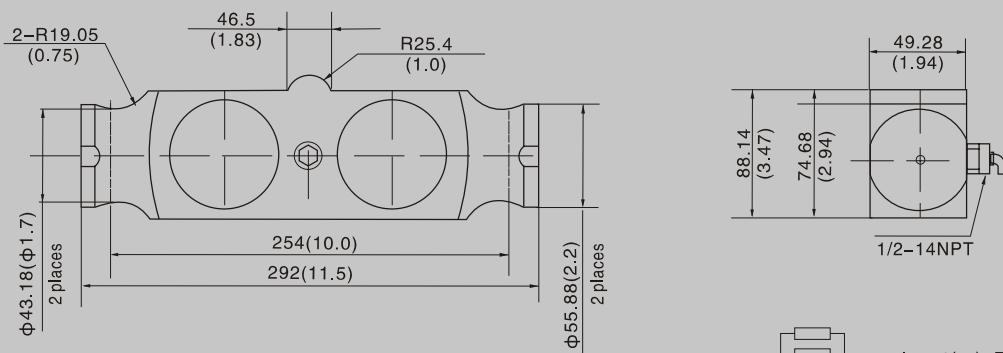
Important Features:

- Capacities: 50Klb ~ 100Klb.
- High accuracy.
- Alloy steel construction.
- Easy installation and reliable performance.

Specifications

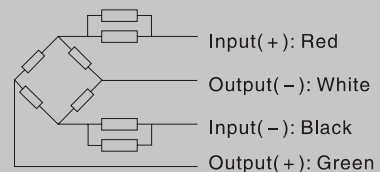
Capacity	Klb	50/60/75/100				
		C1	C2	C3	A5M	B10M
Accuracy class						
Maximum number of verification intervals	Π_{max}	1000	2000	3000	5000	10000
Minimum load cell verification interval	V_{min}	$E_{max}/3000$	$E_{max}/5000$	$E_{max}/7500$	$E_{max}/15000$	$E_{max}/10000$
Combined error	(%FS)	$\leq \pm 0.050$	$\leq \pm 0.030$	$\leq \pm 0.020$	$\leq \pm 0.026$	$\leq \pm 0.050$
Creep	(%FS/30min)	$\leq \pm 0.038$	$\leq \pm 0.023$	$\leq \pm 0.016$	$\leq \pm 0.017$	$\leq \pm 0.040$
Temperature effect on sensitivity	(%FS/10°C)	$\leq \pm 0.028$	$\leq \pm 0.017$	$\leq \pm 0.011$	$\leq \pm 0.013$	$\leq \pm 0.040$
Temperature effect on zero	(%FS/10°C)	$\leq \pm 0.047$	$\leq \pm 0.029$	$\leq \pm 0.019$	$\leq \pm 0.014$	$\leq \pm 0.020$
Output sensitivity	(mv/v)	3.0 ± 0.003				
Input resistance	(Ω)	700 ± 7				
Output resistance	(Ω)	703 ± 4				
Insulation resistance	(MΩ)	≥ 5000(50VDC)				
Zero balance	(%FS)	1.0				
Temperature, compensated	(°C)	-10 ~ +40				
Temperature, operating	(°C)	-35 ~ +65				
Excitation, Recommended	(V)	5 ~ 12(DC)				
Excitation, Max	(V)	18(DC)				
Safe overload	(%FS)	120				
Ultimate overload	(%FS)	150				

Outline Dimension mm (inch)

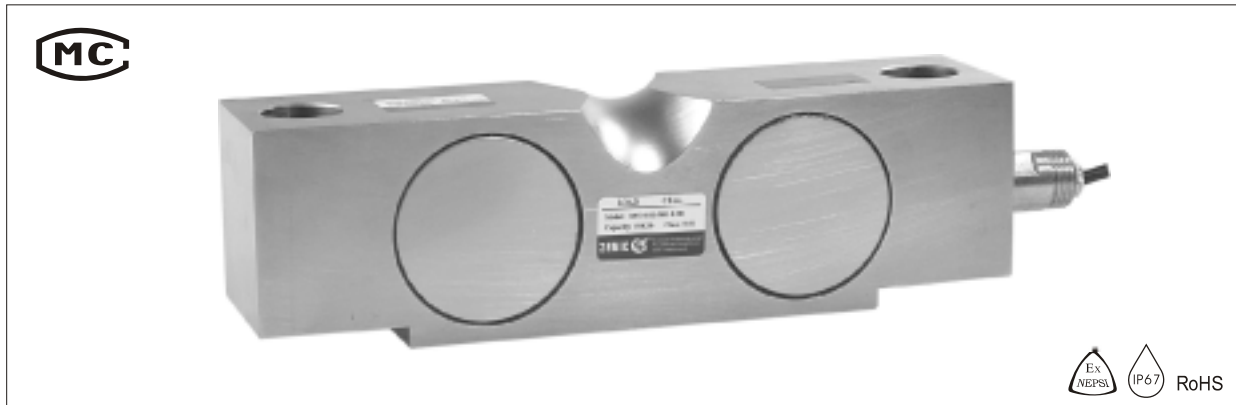


Wiring:

- Shielded, 4 conductor cable: φ 5mm.
- Standard cable length: 9m.
- Cable type and cable length for customer's own application are available on request.



LOAD CELL B9N



- B9N load cells are available in the capacities 10Klb to 125Klb.
- They offer 17-4PH stainless steel construction, electronic hermetic sealing, oil proof, waterproof, anti-corrosive gas and medium making them suitable for use in all kinds of environments.
- Dual shear beam and they are suitable for platform scale, truck scale and other electronic weighing devices.

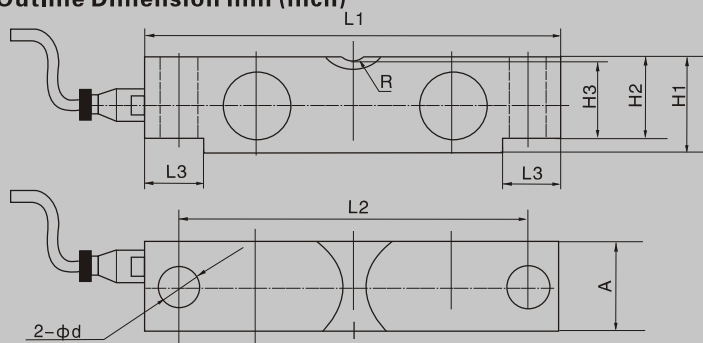
Important Features:

- Capacities: 10Klb~125Klb.
- High accuracy.
- Stainless steel construction.
- Easy installation and reliable performance.

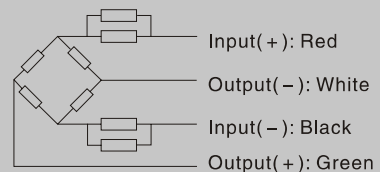
Specifications

Capacity	Klb	10/15/20/25/30/40/50/60/75/100/125			
		C2	C3	A5M	B10M
Accuracy class					
Maximum number of verification intervals	\bar{n}_{max}	2000	3000	5000	10000
Minimum load cell verification interval	V_{min}	$E_{max}/5000$	$E_{max}/7500$	$E_{max}/15000$	$E_{max}/10000$
Combined error	(%FS)	$\leq \pm 0.030$	$\leq \pm 0.020$	$\leq \pm 0.026$	$\leq \pm 0.050$
Creep	(%FS/30min)	$\leq \pm 0.023$	$\leq \pm 0.016$	$\leq \pm 0.017$	$\leq \pm 0.040$
Temperature effect on sensitivity	(%FS/10°C)	$\leq \pm 0.017$	$\leq \pm 0.011$	$\leq \pm 0.013$	$\leq \pm 0.040$
Temperature effect on zero	(%FS/10°C)	$\leq \pm 0.029$	$\leq \pm 0.019$	$\leq \pm 0.014$	$\leq \pm 0.020$
Output sensitivity	(mv/v)	3.0±0.003			
Input resistance	(Ω)	700±7			
Output resistance	(Ω)	703±4			
Insulation resistance	(MΩ)	≥5000(50VDC)			
Zero balance	(%FS)	1.0			
Temperature, compensated	(°C)	-10 ~ +40			
Temperature, operating	(°C)	-35 ~ +65			
Excitation, Recommended	(V)	5 ~ 12(DC)			
Excitation, Max	(V)	18(DC)			
Safe overload	(%FS)	120			
Ultimate overload	(%FS)	150			

Outline Dimension mm (inch)



Dimension Capacity	L1	L2	L3	H1	H2	H3	A	φd	R
10 ~ 25	197 (7.75)	165 (6.5)	35 (1.38)	49.3 (1.94)	43.2 (1.7)	41.4 (1.63)	43 (1.7)	17.3 (0.68)	19.1 (0.75)
30 ~ 40	260.4 (10.25)	216 (8.5)	49 (1.93)	62 (2.44)	53.3 (2.1)	50.8 (2)	49.3 (1.94)	20.6 (0.81)	25.4 (1)
50 ~ 75	260.4 (10.25)	216 (8.5)	49 (1.93)	74.7 (2.94)	67.3 (2.65)	64.5 (2.54)	62 (2.44)	26.9 (1.06)	25.4 (1)
100 ~ 125	387.4 (15.25)	324 (12.76)	79.5 (3.13)	98 (3.86)	87.1 (3.43)	83.8 (3.3)	73.7 (2.9)	41.2 (1.62)	38.1 (1.5)



Wiring:

- Shielded, 4 conductor cable.
- Standard cable length: 9m.
- Cable type and cable length for customer's own application are available on request.

LOAD CELL H9N



- H9N load cells are available in the capacities 25Klb to 200Klb.
- Alloy steel, nickel plated, potted by adhesive inside, oil-proof, waterproof and anti-corrosion, suitable for multimform environments.
- Dual shear beam, suitable for electronic platform scale, truck scale and other electronic weighing devices.

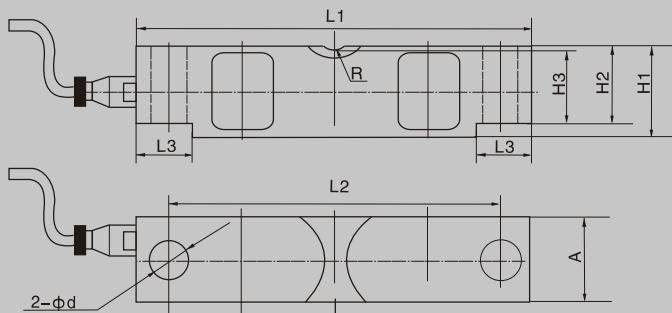
Important Features:

- Capacities: 25Klb ~ 200Klb.
- High accuracy.
- Alloy steel construction.
- Easy installation and reliable performance.

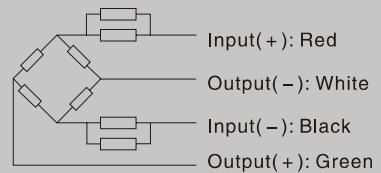
Specifications

Capacity	Klb	25/40/50/60/75/100/125/150/200				
		C1	C2	C3	A5M	B10M
Accuracy class						
Maximum number of verification intervals	n_{max}	1000	2000	3000	5000	10000
Minimum load cell verification interval	v_{min}	$E_{max}/3000$	$E_{max}/7500$	$E_{max}/15000$	$E_{max}/10000$	$E_{max}/7500$
Combined error	(%FS)	$\leq \pm 0.050$	$\leq \pm 0.020$	$\leq \pm 0.023$	$\leq \pm 0.026$	$\leq \pm 0.020$
Creep	(%FS/30min)	$\leq \pm 0.038$	$\leq \pm 0.016$	$\leq \pm 0.014$	$\leq \pm 0.017$	$\leq \pm 0.040$
Temperature effect on sensitivity	(%FS/10°C)	$\leq \pm 0.028$	$\leq \pm 0.011$	$\leq \pm 0.010$	$\leq \pm 0.013$	$\leq \pm 0.040$
Temperature effect on zero	(%FS/10°C)	$\leq \pm 0.047$	$\leq \pm 0.019$	$\leq \pm 0.013$	$\leq \pm 0.014$	$\leq \pm 0.020$
Output sensitivity	(mv/v)	3.0 ± 0.003				
Input resistance	(Ω)	700 ± 7				
Output resistance	(Ω)	703 ± 4				
Insulation resistance	(MΩ)	≥ 5000(50VDC)				
Zero balance	(%FS)	1.0				
Temperature, compensated	(°C)	-10 ~ +40				
Temperature, operating	(°C)	-35 ~ +65				
Excitation, Recommended	(V)	5 ~ 12(DC)				
Excitation, Max	(V)	18(DC)				
Safe overload	(%FS)	120				
Ultimate overload	(%FS)	150				

Outline Dimension mm (inch)



Dimension	L1	L2	L3	H1	H2	H3	A	ϕd	R
Capacity 25	197 (7.75)	165 (6.5)	35 (1.38)	49.3 (1.94)	43.2 (1.7)	41.4 (1.63)	43 (1.7)	17.3 (0.68)	19.1 (0.75)
40	260.4 (10.25)	216 (8.5)	49.3 (1.94)	62 (2.44)	53.3 (2.1)	50.8 (2)	49.3 (1.94)	20.6 (0.81)	25.4 (1)
50 ~ 75	260.4 (10.25)	216 (8.5)	49 (1.93)	74.7 (2.94)	67.3 (2.65)	64.5 (2.54)	62 (2.44)	26.9 (1.06)	25.4 (1)
100 ~ 125	387.4 (15.25)	324 (12.76)	79.5 (3.13)	98 (3.86)	87.1 (3.43)	83.8 (3.3)	73.7 (2.9)	41.2 (1.62)	38.1 (1.5)
150~200	489 (19.25)	387.4 (15.25)	127.8 (5.03)	147.3 (5.8)	130.1 (5.12)	112.8 (4.44)	96.5 (3.8)	41.2 (1.62)	50.8 (2)



Wiring:

- Shielded, 4 conductor cable.
- Standard cable length: 9m.
- Cable type and cable length for customer's own application are available on request.

LOAD CELL BM11



- BM11 load cells are available in the capacities 20kg to 500kg.
- They offer total stainless steel construction, bellow hermetic sealing, oil proof, waterproof and anti-corrosion making them suitable for use in all kinds of environments.
- Single point with bellow, easy installation, flexible application and they are suitable for belt scale, hopper scale and other electronic weighing devices.
- It is safety and anti-explosion product that can be used in atrocious weather and hazardous areas .

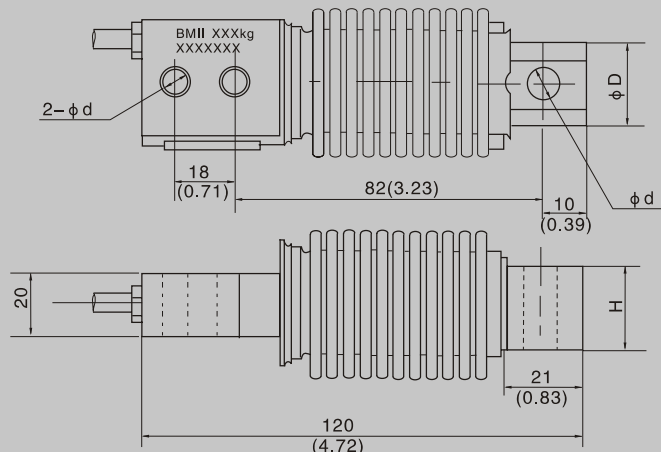
Important Features:

- Capacities: 20kg~500kg.
- High accuracy.
- Stainless steel construction.
- Low profile and nice exterior.
- With OIML approval: (PTB: D09-06.44).

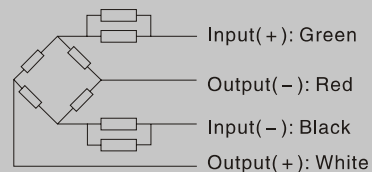
Specifications

Capacity	Kg	20/30/50/100/200/350/500				
		C2	C3	C4	A5M	B10M
Accuracy class						
Approvals			OIML R60 C3		III 5000 单只	III L10000 多只
Maximum number of verification intervals	Π_{max}	2000	3000	4000	5000	10000
Minimum load cell verification interval	V_{min}	E _{max} /5000	E _{max} /7500	E _{max} /14000	E _{max} /15000	E _{max} /10000
Combined error	(%FS)	$\leq \pm 0.030$	$\leq \pm 0.020$	$\leq \pm 0.018$	$\leq \pm 0.026$	$\leq \pm 0.050$
Creep	(%FS/30min)	$\leq \pm 0.023$	$\leq \pm 0.016$	$\leq \pm 0.012$	$\leq \pm 0.017$	$\leq \pm 0.040$
Temperature effect on sensitivity	(%FS/10°C)	$\leq \pm 0.017$	$\leq \pm 0.011$	$\leq \pm 0.009$	$\leq \pm 0.013$	$\leq \pm 0.040$
Temperature effect on zero	(%FS/10°C)	$\leq \pm 0.029$	$\leq \pm 0.019$	$\leq \pm 0.010$	$\leq \pm 0.014$	$\leq \pm 0.020$
Output sensitivity	(mv/v)	2.0 ± 0.02				
Input resistance	(Ω)	430 ± 50				
Output resistance	(Ω)	351 ± 2				
Insulation resistance	(MΩ)	≥ 5000(50VDC)				
Zero balance	(%FS)	1.0				
Temperature, compensated	(°C)	-10 ~ +40				
Temperature, allowed	(°C)	-35 ~ +65				
Excitation, Recommended	(V)	5 ~ 12(DC)				
Excitation, Max.	(V)	18(DC)				
Safe overload	(%FS)	120				
Ultimate overload	(%FS)	150				

Outline Dimension mm (inch)



Capacity	20,30,50,100,200	350, 500
d	8.2 (0.32)	10.3 (0.41)
D	23 (0.91)	24 (0.94)
H	20 (0.79)	19 (0.75)



Wiring:

- Shielded, 6 conductor cable: φ 5mm.
- Standard cable length: 3m.
- Cable type and cable length for customer's own application are available on request.

LOAD CELL HM11

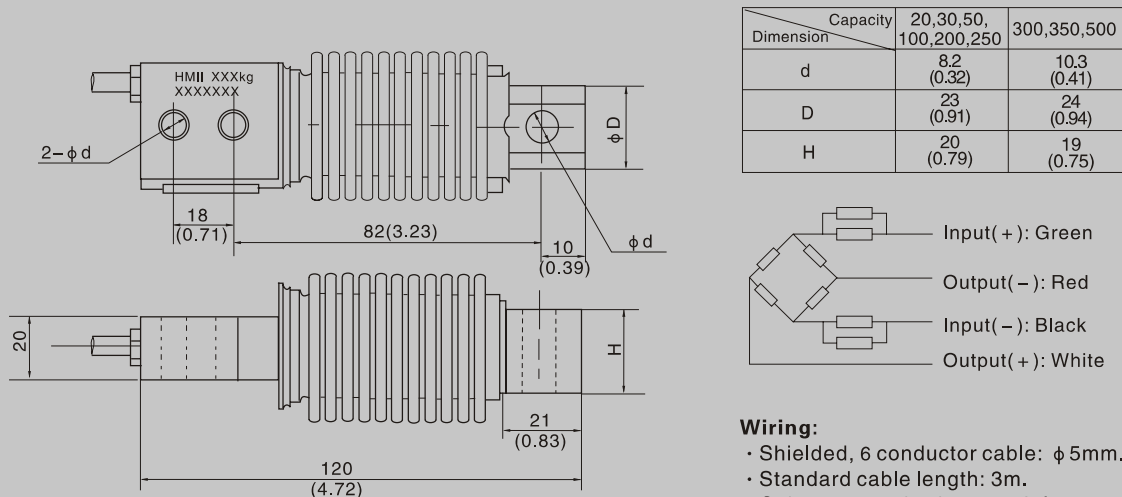


- HM11 load cells are available for manifold accurate measurement in the capacities 20kg to 500kg. **Important Features**
- Alloy steel, weld with bellow, potted by adhesive inside, oil-proof, waterproof and anti-corrosion, suitable for multiform environments.
- Single point with bellow, easy installation. Suitable for electronic belt scales, hopper scales, and other electronic weighing devices.
- It is safety and anti-explosion product that can be used in atrocious weather and hazardous areas .
- Capacities: 20kg ~ 500kg.
- High accuracy.
- Alloy steel construction.
- Low profile and nice exterior.

Specifications

Capacity	Kg	20/30/50/100/200/250/300/350/500				
		C1	C2	C3	A5M	B10M
Accuracy class						
Maximum number of verification intervals	Π_{max}	1000	2000	3000	5000	10000
Minimum load cell verification interval	V_{min}	$E_{max}/3000$	$E_{max}/5000$	$E_{max}/7500$	$E_{max}/15000$	$E_{max}/10000$
Combined error	(%FS)	$\leq \pm 0.050$	$\leq \pm 0.030$	$\leq \pm 0.020$	$\leq \pm 0.026$	$\leq \pm 0.050$
Creep	(%FS/30min)	$\leq \pm 0.038$	$\leq \pm 0.023$	$\leq \pm 0.016$	$\leq \pm 0.017$	$\leq \pm 0.040$
Temperature effect on sensitivity	(%FS/10°C)	$\leq \pm 0.028$	$\leq \pm 0.017$	$\leq \pm 0.011$	$\leq \pm 0.013$	$\leq \pm 0.040$
Temperature effect on zero	(%FS/10°C)	$\leq \pm 0.047$	$\leq \pm 0.029$	$\leq \pm 0.019$	$\leq \pm 0.014$	$\leq \pm 0.020$
Output sensitivity	(mv/v)	2.0 ± 0.02				
Input resistance	(Ω)	460 ± 50				
Output resistance	(Ω)	351 ± 2.0				
Insulation resistance	(M Ω)	$\geq 5000(50VDC)$				
Zero balance	(%FS)	1.5				
Temperature, compensated	(°C)	-10 ~ +40				
Temperature, allowed	(°C)	-35 ~ +65				
Excitation, Recommended	(V)	5 ~ 12(DC)				
Excitation, Max	(V)	18(DC)				
Safe overload	(%FS)	120				
Ultimate overload	(%FS)	150				

Outline Dimension mm (inch)



Wiring:

- Shielded, 6 conductor cable: ϕ 5mm.
- Standard cable length: 3m.
- Cable type and cable length for customer's own application are available on request.

LOAD CELL BM14A

- BM14A load cells are available in the capacities 10t to 100t and 10Klb to 500Klb.
- They offer 17-4PH stainless steel construction, electronic hermetic sealing, oil proof, waterproof, anti-corrosive gas and medium making them lightning protected in all kinds of environments.
- Multiform column design, automatically recovery and they are suitable for platform scale, automobile testing facilities, hopper scale and other electronic weighing devices

Important Features

- Capacities: 10t~100t ; 10Klb~500Klb.
- High accuracy.
- Four columns construction.
- Total Stainless steel construction.
- Easy installation and reliable performance.
- With OIML approval: (PTB: D09-07.01).

Accessory

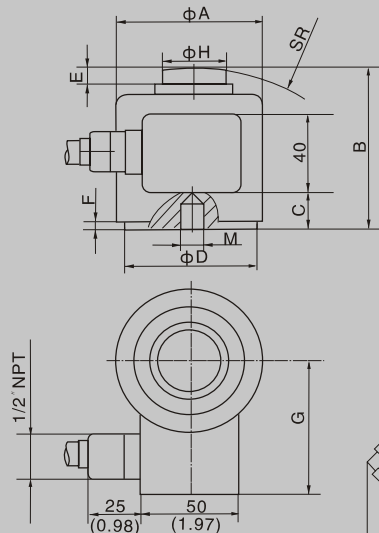
- BY-14-101

Specifications

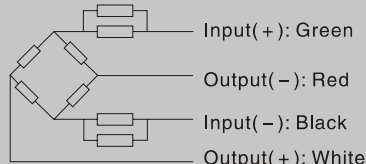
Capacity	t	10/25/40/60/100			
	Klb	10/25/50/100/200/300/500			
Accuracy class		C2	C3	A5M	B10M
Approvals	nmax		OIML R60 C3		
Maximum number of verification intervals	Vmin	2000	3000	5000	10000
Minimum load cell verification interval	(%FS)	Emax/5000	Emax/7500	Emax/15000	Emax/10000
Combined error	(%FS/30min)	≤ ±0.030	≤ ±0.020	≤ ±0.026	≤ ±0.050
Creep	(%FS/10°C)	≤ ±0.023	≤ ±0.016	≤ ±0.017	≤ ±0.040
Temperature effect on sensitivity	(%FS/10°C)	≤ ±0.017	≤ ±0.011	≤ ±0.013	≤ ±0.040
Temperature effect on zero	(mv/v)	≤ ±0.029	≤ ±0.019	≤ ±0.014	≤ ±0.020
Output sensitivity	(Ω)	2.0 ± 0.002			
Input resistance	(Ω)	450 ± 4.5			
Output resistance	(MΩ)	480 ± 4.8			
Insulation resistance	(%FS)	≥ 5000(50VDC)			
Zero balance	(°C)	1.0			
Temperature, compensated	(°C)	-10 ~ +40			
Temperature, operating	(V)	-40 ~ +80			
Excitation, Recommended	(V)	5 ~ 12(DC)			
Excitation, Max	(%FS)	18(DC)			
Safe overload	(%FS)	150			
Ultimate overload		300			



Outline Dimension mm (inch)



Capacity	10,25t (10.25,50K)	40,60t (100K)	100t (200K)	300K	500K
A	73 (2.85)	105 (4.13)	151.4 (6.0)	151.4 (5.96)	162.6 (6.40)
B	82.5 (3.25)	127 (5.0)	184.2 (7.25)	184.2 (7.25)	228.6 (9.00)
C	38.23 (1.5)	65.07 (2.56)	87.35 (3.44)	87.35 (3.44)	101.5 (4.00)
D	58 (2.28)	82.5 (3.25)	123.8 (4.87)	123.8 (4.87)	136.3 (5.37)
E	7.75 (0.31)	9.4 (0.37)	23.15 (0.91)	23.15 (0.91)	10.85 (0.43)
F	2.6 (0.10)	4 (0.16)	3.7 (0.15)	3.7 (0.15)	3.7 (0.15)
G	64 (2.25)	87 (3.43)	108 (4.26)	108 (4.26)	123 (4.84)
H	31.8 (1.25)	58.7 (2.31)	79.4 (3.12)	79.4 (3.13)	93.7 (3.69)
M	M12 × 1.75 1/2-20UNF	M20 × 2.5 3/4-16UNF			
SR	152 (5.98)	152 (5.98)	432 (17.01)	432 (17.01)	432 (17.01)



Wiring:

- Shielded, 4 conductor cable: φ 7.5mm.
- Standard cable length:
10t : 10m; 25t ~ 100t : 20m; 10Klb ~ 500Klb: 9m.
- Cable type and cable length for customer's own application are available on request.

LOAD CELL BM14C

- BM14C load cells are available in the capacities 10 to 50t.
- They offer 17-4PH stainless steel construction, electronic hermetic sealing, oil proof, waterproof, anti-corrosive gas and medium making them lightening protected in all kinds of environments.
- Single column, automatically recovery and they are suitable for truck scale, track scale and other electronic weighing devices.

Important Features

- Capacities: 10t~50t.
- High accuracy.
- Stainless steel construction.
- Easy installation and reliable performance.
- With OIML approval: (PTB: D09-07.03).

Accessories:

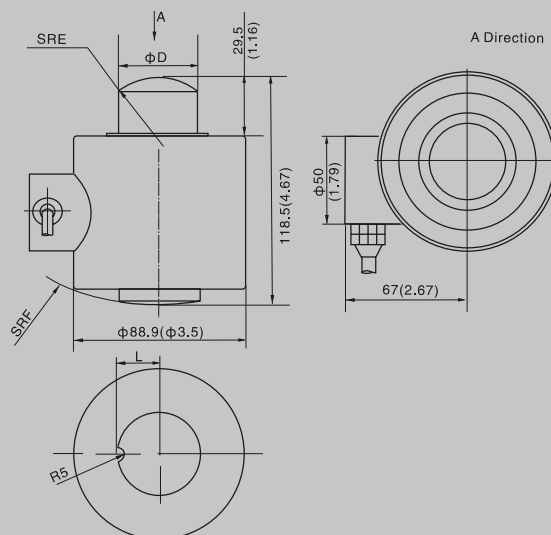
- BM-14-405 BY-14-103



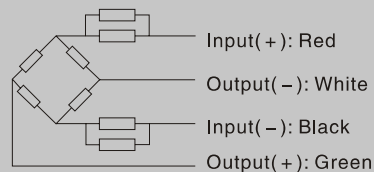
Specifications

Capacity	t	10/20/25/30/40/50				
		C2	C3	C4	A5M	B10M
Accuracy class			OIML R60 C3	OIML R60 C4		
Approvals						
Maximum number of verification intervals	Π_{max}	2000	3000	4000	5000	10000
Minimum load cell verification interval	V_{min}	Emax/5000	Emax/7500	Emax/14000	Emax/15000	Emax/10000
Combined error	(%FS)	$\leq \pm 0.030$	$\leq \pm 0.020$	$\leq \pm 0.018$	$\leq \pm 0.026$	$\leq \pm 0.050$
Creep	(%FS/30min)	$\leq \pm 0.023$	$\leq \pm 0.016$	$\leq \pm 0.012$	$\leq \pm 0.017$	$\leq \pm 0.040$
Temperature effect on sensitivity	(%FS/10°C)	$\leq \pm 0.017$	$\leq \pm 0.011$	$\leq \pm 0.009$	$\leq \pm 0.013$	$\leq \pm 0.040$
Temperature effect on zero	(%FS/10°C)	$\leq \pm 0.029$	$\leq \pm 0.019$	$\leq \pm 0.010$	$\leq \pm 0.014$	$\leq \pm 0.020$
Output sensitivity	(mv/v)	2.0 ± 0.002				
Input resistance	(Ω)	700 ± 7				
Output resistance	(Ω)	703 ± 4				
Insulation resistance	(M Ω)	$\geq 5000(50VDC)$				
Zero balance	(%FS)	1.0				
Temperature, compensated	(°C)	-10 ~ +40				
Temperature, operating	(°C)	-40 ~ +80				
Excitation, Recommended	(V)	5 ~ 12(DC)				
Excitation, Max	(V)	18(DC)				
Safe overload	(%FS)	150				
Ultimate overload	(%FS)	300				

Outline Dimension mm (inch)



Capacity Dimension	10,20,25,30	40,50
φD	40(1.57)	50(1.97)
E	37.5(1.48)	200(7.87)
F	150(5.91)	200(7.87)
L	22(10.87)	27(1.06)



Wiring:

- Shielded, 4 conductor cable: ϕ 5.5mm.
- Standard cable length: 15m.
- Cable type and cable length for customer's own application are available on request.

LOAD CELL HM14C

- HM14C load cells are available in manifold accurate measurement in the capacities 10t to 50t.
- Alloy steel, nickel plated, hermetically sealed, oil-proof, waterproof and anti-corrosion, suitable for multiform environments.
- Single column, suitable for electronic truck scale, track scale and other electronic weighing devices.

Important Features:

- Capacities: 10t ~ 50t.
- High accuracy.
- Alloy steel construction.
- Easy installation and reliable performance.

Accessories:

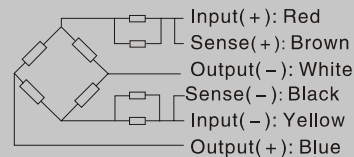
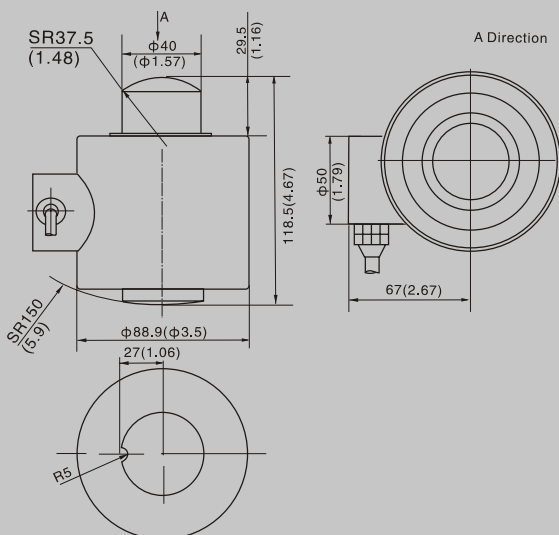
- HM-14-401
- HM-14-403
- HY-14-104



Specifications

Capacity	t	10/20/25/30/50			
		C2	C3	A5M	B10M
Accuracy class					
Maximum number of verification intervals	\bar{n}_{max}	2000	3000	5000	10000
Minimum load cell verification interval	V_{min}	$E_{max}/5000$	$E_{max}/7500$	$E_{max}/15000$	$E_{max}/10000$
Combined error	(%FS)	$\leq \pm 0.030$	$\leq \pm 0.020$	$\leq \pm 0.026$	$\leq \pm 0.050$
Creep	(%FS/30min)	$\leq \pm 0.023$	$\leq \pm 0.016$	$\leq \pm 0.017$	$\leq \pm 0.040$
Temperature effect on sensitivity	(%FS/10°C)	$\leq \pm 0.017$	$\leq \pm 0.011$	$\leq \pm 0.013$	$\leq \pm 0.040$
Temperature effect on zero	(%FS/10°C)	$\leq \pm 0.029$	$\leq \pm 0.019$	$\leq \pm 0.014$	$\leq \pm 0.020$
Output sensitivity	(mv/v)	1.5 ± 0.004			
Input resistance	(Ω)	700 ± 7			
Output resistance	(Ω)	703 ± 4			
Insulation resistance	($M\Omega$)	$\geq 5000(50VDC)$			
Zero balance	(%FS)	1.0			
Temperature, compensated	(°C)	$-10 \sim +40$			
Temperature, operating	(°C)	$-35 \sim +65$			
Excitation, Recommended	(V)	$5 \sim 12(DC)$			
Excitation, Max	(V)	18(DC)			
Safe overload	(%FS)	150			
Ultimate overload	(%FS)	300			

Outline Dimension mm (inch)



Wiring:

- Shielded, 6 conductor cable: ϕ 6.3mm.
- Standard cable length: 15m.
- Cable type and cable length for customer's own application are available on request.

LOAD CELL BM14D

- BM14D load cells are available in the capacities 10t to 100t.
- They offer 17-4PH stainless steel construction, electronic hermetic sealing, oil proof, waterproof, anti-corrosive gas and medium making them lightening protected in all kinds of environments.
- Single column design, automatically recovery and they are suitable for platform scale, automobile testing facilities, hopper scale and other electronic weighing devices.

Important Features

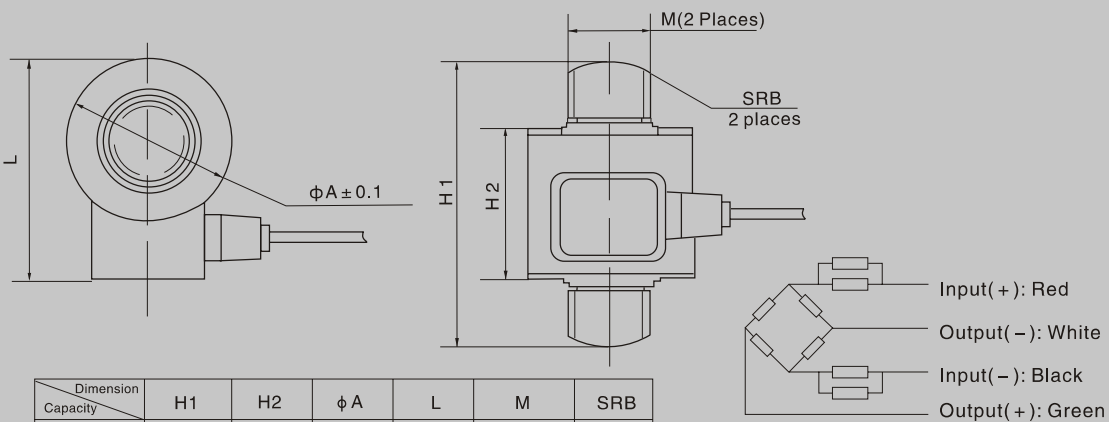
- Capacities: 10t ~100t.
- High accuracy.
- Stainless steel construction.
- Easy installation and reliable performance.



Specifications

Capacity	t	10/20/25/30/40/50/100			
		C2	C3	A5M	B10M
Accuracy class	Πmax	2000	3000	5000	10000
Maximum number of verification intervals	Vmin	E _{max} /5000	E _{max} /7500	E _{max} /15000	E _{max} /10000
Minimum load cell verification interval	(%FS)	≤ ± 0.030	≤ ± 0.020	≤ ± 0.026	≤ ± 0.050
Creep	(%FS/30min)	≤ ± 0.023	≤ ± 0.016	≤ ± 0.017	≤ ± 0.040
Temperature effect on sensitivity	(%FS/10°C)	≤ ± 0.017	≤ ± 0.011	≤ ± 0.013	≤ ± 0.040
Temperature effect on zero	(%FS/10°C)	≤ ± 0.029	≤ ± 0.019	≤ ± 0.014	≤ ± 0.020
Output sensitivity	(mv/v)	1.5 ± 0.002			
Input resistance	(Ω)	700 ± 7			
Output resistance	(Ω)	703 ± 4			
Insulation resistance	(MΩ)	≥ 5000(50VDC)			
Zero balance	(%FS)	2.0			
Temperature, compensated	(°C)	-10 ~ +40			
Temperature, operating	(°C)	-35 ~ +65			
Excitation, Recommended	(V)	5 ~ 12(DC)			
Excitation, Max	(V)	18(DC)			
Safe overload	(%FS)	150			
Ultimate overload	(%FS)	300			

Outline Dimension mm (inch)



Dimension Capacity	H1	H2	φ A	L	M	SRB
10-20	180 (7.08)	69.3 (2.73)	73 (2.87)	99.7 (3.92)	M36 × 3	200 (7.87)
25-30	200 (7.87)	70 (2.75)	88.9 (3.5)	115.6 (4.55)	M42 × 3	250 (9.84)
40-60	250 (9.84)	99.3 (3.91)	105 (4.13)	138.3 (5.44)	M56 × 4	300 (11.8)
100	350 (13.7)	131.9 (5.19)	152.4 (4.93)	183.9 (7.14)	M76 × 4	400 (15.7)

Wiring:

- Shielded, 4 conductor cable.
- Standard cable length: 20 m.
- Cable type and cable length for customer's own application are available on request.

LOAD CELL BM14G

- BM14G load cells are available in the capacities 10t to 50t.
- They offer 17-4PH stainless steel construction, electronic hermetic sealing, oil proof, waterproof, anti-corrosive gas and medium making them lightening protected in all kinds of environments.
- Single column design, automatically recovery and they are suitable for platform scale, automobile testing facilities, hopper scale and other electronic weighing devices.

Important Features

- Capacities: 10t ~50t.
- High accuracy.
- Total Stainless steel construction.
- Easy installation and reliable performance.
- OIML approval: (PTB: D09-05.21).

Accessory

- BY-14-105



Specifications

Maximum capacity	t	10/20/30/40/50				
		C2	C3	C4	A5M	B10M
Accuracy class						
Approvals			OIML R60 C3			
Maximum number of verification intervals	n_{max}	2000	3000	4000	5000	10000
Minimum load cell verification interval	v_{min}	$E_{max}/5000$	$E_{max}/12000$	$E_{max}/14000$	$E_{max}/15000$	$E_{max}/10000$
Combined error	(%FS)	$\leq \pm 0.030$	$\leq \pm 0.020$	$\leq \pm 0.018$	$\leq \pm 0.026$	$\leq \pm 0.050$
Creep	(%FS/30min)	$\leq \pm 0.023$	$\leq \pm 0.016$	$\leq \pm 0.012$	$\leq \pm 0.017$	$\leq \pm 0.040$
Temperature effect on sensitivity	(%FS/10°C)	$\leq \pm 0.017$	$\leq \pm 0.011$	$\leq \pm 0.009$	$\leq \pm 0.013$	$\leq \pm 0.040$
Temperature effect on zero	(%FS/10°C)	$\leq \pm 0.029$	$\leq \pm 0.012$	$\leq \pm 0.010$	$\leq \pm 0.014$	$\leq \pm 0.020$
Output sensitivity	(mv/v)	2.0 ± 0.002				
Input resistance	(Ω)	700 ± 7				
Output resistance	(Ω)	703 ± 4				
Insulation resistance	(M Ω)	$\geq 5000(50VDC)$				
Zero balance	(%FS)	1.0				
Temperature, compensated	(°C)	-10 ~ +40				
Temperature, operating	(°C)	-40 ~ +80				
Excitation, Recommended	(V)	5 ~ 12(DC)				
Excitation, Max	(V)	18(DC)				
Safe overload	(%FS)	150				
Ultimate overload	(%FS)	300				

Note: Users could choose BM14G with different construction by their need. Please contact our salesmen for detailed information.

Outline Dimension mm (inch)

BM14G-XX-XX-XB-W1

BM14G-XX-XX-XB

Wiring:

- Shielded, 4 conductor cable: 5.0mm.
- Standard cable length: 15m.
- Cable type and cable length for customer's own application are available on request.

Note: This product is not suitable for the following countries: UK, France, Germany, Italy, The Netherlands

LOAD CELL BM14K

- BM14K load cells are available in the capacities 10t to 100t.
- They offer 17–4PH stainless steel construction, electronic hermetic sealing, oil proof, waterproof, anti-corrosive gas and medium making them lightning protected in all kinds of environments.
- Single column, automatically recovery and they are suitable for platform scale, automobile testing facilities, hopper scale and other electronic weighing devices.

Important Features

- Capacities: 10t ~ 100t.
- High accuracy.
- Stainless steel construction.
- Easy installation and reliable performance.
- OIML approval: (PTB: D09–07.02).

Accessories:

- HM–14–404
- BY–14–102

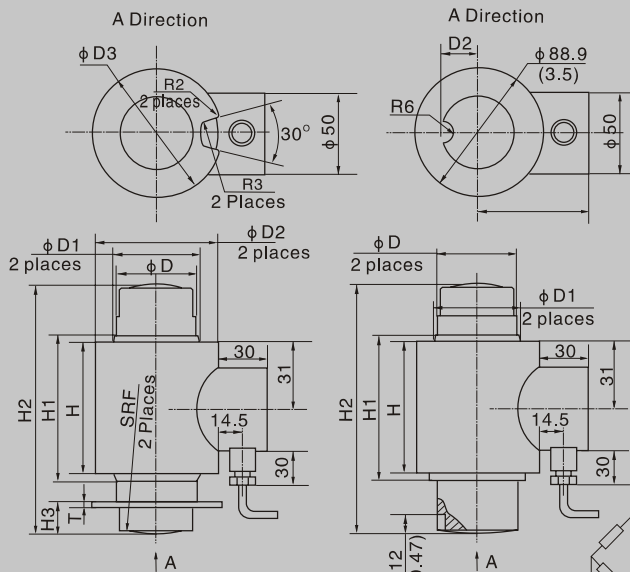


Specifications

Capacity	t	10/20/30/40/50			
		C2	C3	A5M	B10M
Accuracy class					
Approvals			OIML R60 C3		
Maximum number of verification intervals	n _{max}	2000	3000	5000	10000
Minimum load cell verification interval	V _{min}	E _{max} /5000	E _{max} /12000	E _{max} /15000	E _{max} /10000
Combined error	(%FS)	≤ ± 0.030	≤ ± 0.02	≤ ± 0.026	≤ ± 0.050
Creep	(%FS/30min)	≤ ± 0.023	≤ ± 0.16	≤ ± 0.017	≤ ± 0.040
Temperature effect on sensitivity	(%FS/10°C)	≤ ± 0.017	≤ ± 0.011	≤ ± 0.013	≤ ± 0.040
Temperature effect on zero	(%FS/10°C)	≤ ± 0.029	≤ ± 0.012	≤ ± 0.014	≤ ± 0.020
Output sensitivity	(mv/v)	2.0 ± 0.002			
Input resistance	(Ω)	700 ± 7			
Output resistance	(Ω)	703 ± 4			
Insulation resistance	(MΩ)	≥ 5000(50VDC)			
Zero balance	(%FS)	1.0			
Temperature, compensated	(°C)	-10 ~ +40			
Temperature, operating	(°C)	-40 ~ +80			
Excitation, Recommended	(V)	5 ~ 12(DC)			
Excitation, Max	(V)	18(DC)			
Safe overload	(%FS)	150			
Ultimate overload	(%FS)	300			

Outline Dimension mm (inch)

Note: Users could choose BM14K with different construction by their need. Please contact our salesmen for detailed information.



Capacity Dimension	10~15	20, 30, 40	50~60	100
D	44(1.73)	44(1.73)	44(1.73)	64(2.52)
D1	49(1.93)	49(1.93)	49(1.93)	68(2.66)
D2	74(2.91)	74(2.91)	74(2.91)	93(3.66)
D3	76(2.99)	76(2.99)	76(2.99)	103(4.06)
H	80(3.15)	92(3.62)	92(3.62)	121(4.71)
H1	88(3.46)	100(3.94)	100(3.94)	128(5.04)
H2	130(5.12)	130(5.91)	210(8.27)	260(10.24)
H3	12(0.74)	19(0.75)	19(0.75)	19(0.75)
H4		5(0.2)	5(0.2)	7(0.28)
T		3(0.12)	3(0.12)	5(0.2)
SRF		200(7.87)	300(11.81)	400(15.75)

Wiring:

- Input (+): Green
- Sense (+): Yellow
- Output (-): Red
- Sense (-): Blue
- Input (-): Black
- Output (+): White

- Shielded, 6 conductor cable: φ 5.0mm.
- Standard cable length: 10t~30t : 12m; 40t~100t : 20m.
- Cable type and cable length for customer's own application are available on request.

Note: This product is not suitable for the following countries: UK, France, Germany, Italy, The Netherlands

LOAD CELL L16



- L16 load cell is available in the capacity 500kg.
- Aluminum construction, silicone adhesive sealed, surface anodized and anti-corrosion.
- Integral structure and easy installation.
- They are suitable for electron measuring system.

Important Features

- Capacity: 500kg.
- High accuracy.
- Aluminum parallel beam construction.

Specifications

Capacity	kg	500
Output Sensitivity	mv/v	2.2 ± 0.3
Accuracy class		G1
Temperature effect on zero	%FS/10°C	0.1
Temperature effect on Sensitivity	+20°C~+40°C	0.1
	-10°C~+20°C	0.1
Combined error	%FS	0.1
Creep	%FS	0.1
Input resistance	Ω	778 ± 15
Output resistance	Ω	700 ± 5
Insulation resistance	MΩ	≥5000
Zero balance	%FS	2
Temperature, compensated	°C	-10 ~ +40
Temperature, operating	°C	-20 ~ +50
Excitation, Recommended	V	5-15
Safe overload	%FS	150
Ultimate overload	%FS	300

Outline Dimension mm (inch)

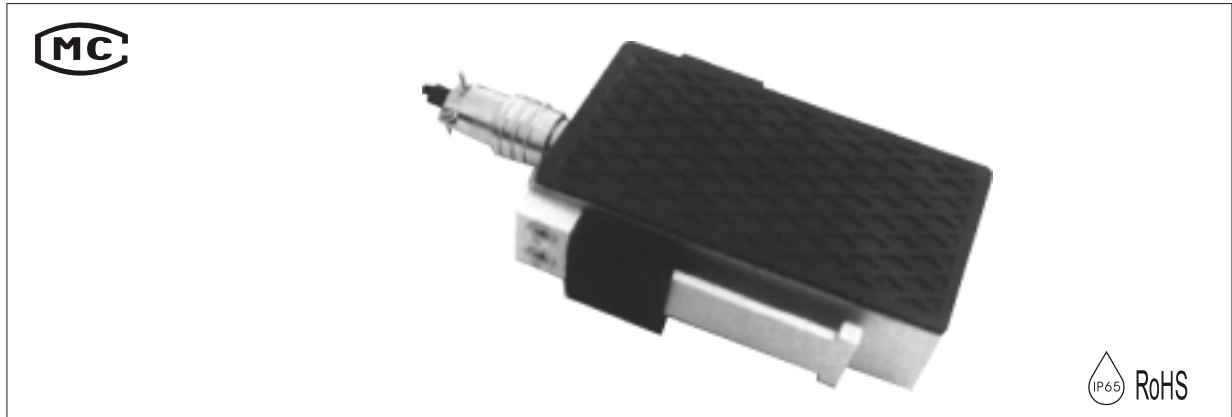
Input (+): Red
 Output (-): White
 Input (-): Black
 Output (+): Green
 Shield

- Dimensions and specifications are subject to change without notice.

Wiring:

- Adopt a shielded, 4 conductor cable, and cable jacket is PU.
- Cable length: 6 ± 0.05m.
- Cable diameter: 5 ± 0.2mm.

LOAD CELL L16A



- L16A load cell is available in the capacity 100kg.
- Aluminum construction, silicone adhesive sealed, surface anodized and anti-corrosion.
- Integral structure and easy installation.
- They are suitable for pedal and brake measurement.

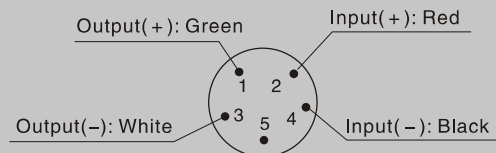
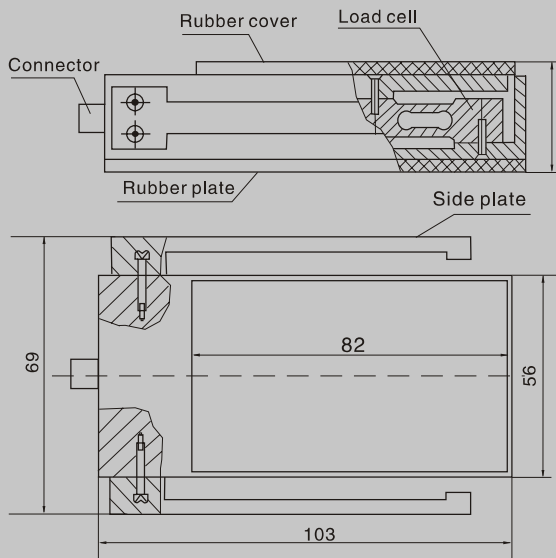
Important Features

- Capacity: 100kg.
- High accuracy.
- Aluminum-alloy parallel beam construction.
- Integral installation.

Specifications

Capacity	kg	100
Output Sensitivity	mv/v	2.2 ± 0.3
Accuracy class		G1
Temperature effect on zero	%FS/10°C	0.1
Temperature effect on Sensitivity	+20°C~+40°C	0.1
	-10°C~+20°C	0.1
Combined error	%FS	0.1
Creep	%FS	0.1
Input resistance	Ω	778 ± 15
Output resistance	Ω	700 ± 5
Insulation resistance	MΩ	≥ 5000
Zero balance	%FS	2
Temperature, compensated	°C	-10 ~ +40
Temperature, operating	°C	-20 ~ +50
Excitation, Recommended	V	5-15
Safe overload	%FS	150
Ultimate overload	%FS	300

Outline Dimension mm (inch)



Note: Side plate mounted with 0.3m Nylon tape.

- Dimensions and specifications are subject to change without notice.

Wiring:

- Adopt a shielded, 4 conductor cable, and cable jacket is PVC.
- Cable length: 6 ± 0.05m.
- Cable diameter: 3.8 ± 0.1mm.

ACCESSORY BJ-8-202

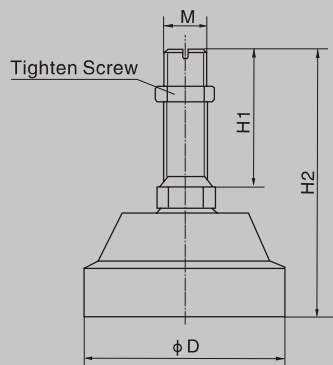
Capacity	Part number
0.5-2t	HJ-8-202-0.5/2t
2.5-5t	HJ-8-202-2.5/5t
250lb-5KSE	HJ-8-202-250lb/5KSE
5K-10Klb	HJ-8-202-5/10K

Features

- Easy installation, adjustable height, anti-corrosion, with a steel ball inside to centralize automatically, high ability of anti-side load.
- Mainly used for floor scale, platform scale in harsh and corrosive environment.



Outline Dimension mm (inch)



Capacity	Dimension	φ D	H1	H2	M
0.5t-2t		60 (2.36)	50 (1.97)	90 (3.54)	M12 × 1.75
250lb-4KSE					1/2-20UNF
2.5t-5t		80 (3.15)	50 (1.97)	105 (4.13)	M20 × 2.5
5-10Klb					3/4-16UNF



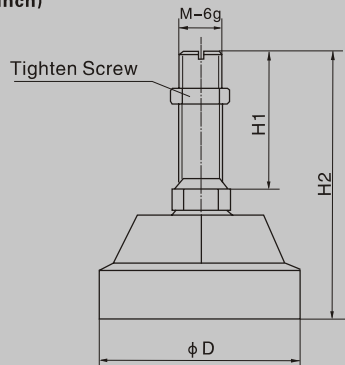
ACCESSORY BJ-8-205

Capacity	Part number
0.5t-2t	BJ-8-205-0.5/2t
250lb-4Klb	BJ-8-205-250lb/4K

Features

- Easy installation, height adjustable, anti-corrosion, with a steel ball inside to centralize automatically, high ability of anti-side load.
- Mainly used for floor scale, platform scale in harsh and corrosive environment.

Outline Dimension mm (inch)



Capacity	Dimension	φ D	H1	H2	M
0.5t-2t (250lb-4Klb)		80 (3.15)	50 (1.97)	105 (4.13)	M12 × 1.75 1/2-20UNF

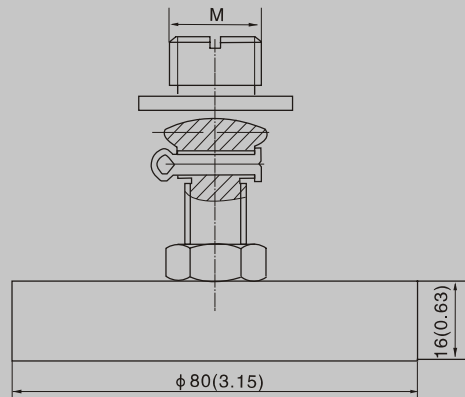
ACCESSORY BJ-8-206

Capacity	Part number
0.5t-2t	BJ-8-206-0.25/2t
500lb-4K	BJ-8-206-500lb/4k



Outline Dimension mm (inch)

Capacity	Model
0.25-2t	M12
500lb-4K	1/2-20UNF

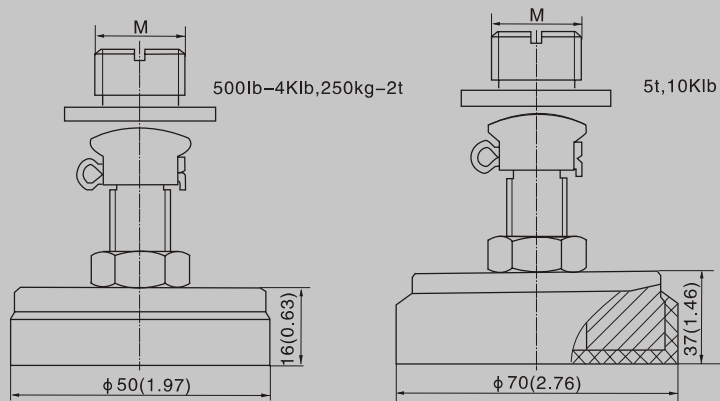


ACCESSORY BJ-8-207

Capacity	Part number
0.25t-2t	BJ-8-207-0.25t/2t
5t	BJ-8-207-5t
500lb-4Klb	BJ-8-207-500lb/4k
10Klb	BJ-8-207-10K

Outline Dimension mm (inch)

Capacity	Model
250kg-2t	M12
5t	M20
500lb-4Klb	1/2UNF
10Klb	3/4-16UNF



ACCESSORY BJ-8-209

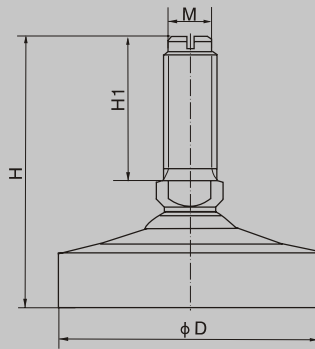
Capacity	Part number
0.5t-2t	HJ-8-209-0.5/2t
2.5t-5t	HJ-8-209-2.5/5t
1Klb-4K	HJ-8-209-1/4K
5Klb-10Klb	HJ-8-209-5/10K

Features

- Easy installation, adjustable height , anti-corrosion, with a steel ball inside to centralize automatically, high ability of anti-side load.
- Mainly used for floor scale, platform scale in harsh and corrosive environment.



Outline Dimension mm (inch)



Capacity \ Dimension	φ D	H1	H	M
0.5t-2t	60 (2.36)	42 (1.65)	74 (2.91)	M12
2.5t-5t	80 (3.15)	50 (1.97)	95 (3.74)	M20
1K-4KSE	60 (2.36)	42 (1.65)	74 (2.91)	1/2-20UNF
5K-10K	80 (3.15)	50 (1.97)	95 (3.74)	3/4-16UNF



ACCESSORY BJ-8-211

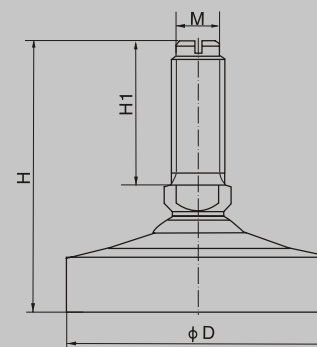
Capacity	Part number
0.5t-2t	BJ-8-211-0.5/2t
1Klb-4Klb	BJ-8-211-1/4K

Features

- Easy installation, adjustable height , anti-corrosion, with a steel ball inside to centralize automatically, high ability of anti-side load.
- Mainly used for floor scale, platform scale in harsh and corrosive environment.

Outline Dimension mm (inch)

Capacity \ Dimension	φ D	H1	H	M
0.5t-2t	80 (3.15)	42 (1.65)	82 (3.23)	M12
1-4K	80 (3.15)	42 (1.65)	82 (3.23)	1/2-20UNF



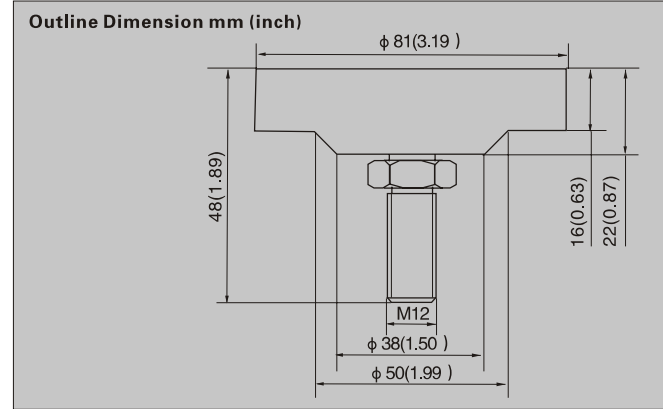
ACCESSORY BJ-8-215

Capacity **Part number**
 0.5-2t BJ-8-215-0.5/2t



Features

- Easy installation, adjustable height, anti-corrosion, with a steel ball inside to centralize automatically, high ability of anti-side load.
- Mainly used for floor scale, platform scale in harsh and corrosive environment.



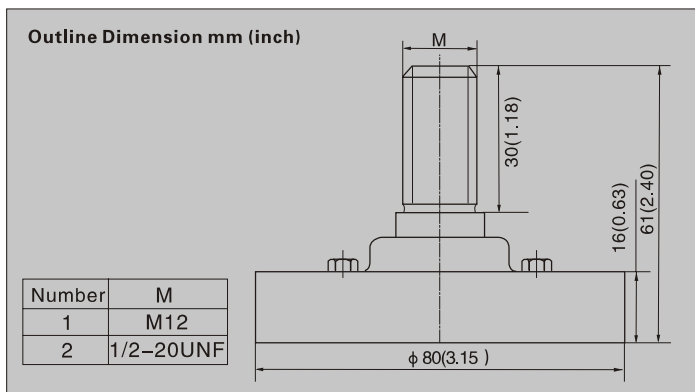
ACCESSORY BJ-8-219

Capacity **Part number**
 0.5t-2t BJ-8-219-0.5/2t
 1Klb-4Klb BJ-8-219-1/4K



Features

- Easy installation, inside to centralize automatically and high ability of anti-side load.
- Mainly used for platform scale, weighbridge and other electronic weighing devices.



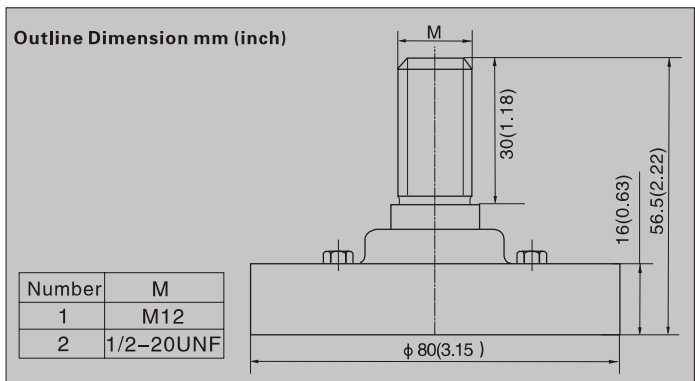
ACCESSORY BJ-8-220

Capacity **Part number**
 0.5t-2t BJ-8-220-0.5/2t
 1Klb-4Klb BJ-8-220-1/4K



Features

- Easy installation, inside to centralize automatically and high ability of anti-side load.
- Mainly used for platform scale, weighbridge and other electronic weighing devices.



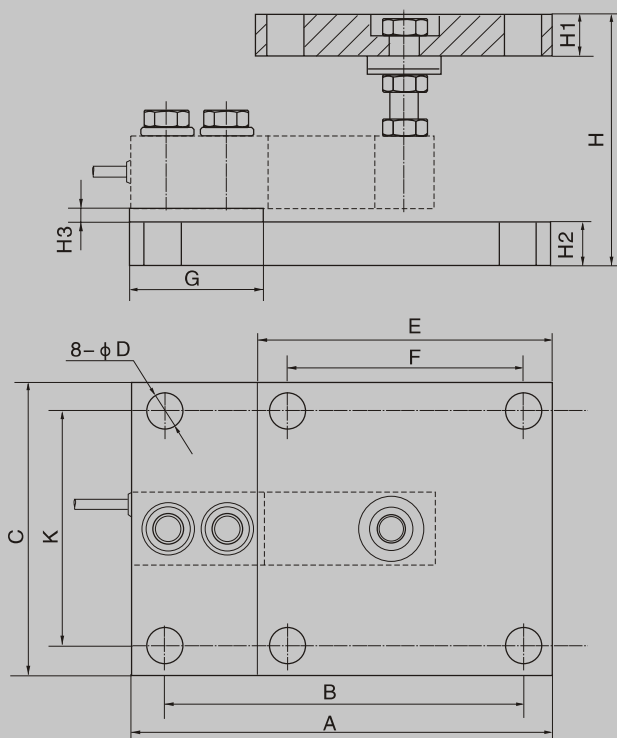
ACCESSORY BM-8-404

Capacity	Part number
0.5-2t	BM-8-404-0.5/2t
2.5-5t	BM-8-404-2.5/5t
250lb-5KSE	BM-8-404-250lb/5KSE
5-10Klb	BM-8-404-5/10K



Stainless steel.
Assembled with load cell B8D, H8C, H8C.

Outline Dimension mm (inch)



Dimension Capacity	A	B	C	D	K	E	F	G	H1	H2	H3	H
0.5-2 (1-4)	180.9 (7.12)	152.4 (6.0)	127 (5.0)	16 (0.63)	101.6 (4.0)	127 (5.0)	101.6 (4.0)	54 (2.24)	18 (0.71)	18 (0.71)	6.1 (0.24)	100-120 (3.94-4.72)
2.5-5 (5-10)	215.9 (8.5)	177.8 (7.0)	127 (5.0)	16 (0.63)	101.6 (4.0)	127 (5.0)	101.6 (4.0)	76 (3.0)	26 (1.02)	26 (1.02)	6.1 (0.24)	130-150 (5.12-5.91)

ACCESSORY BM-8-406

Capacity	Part number
0.25-2t	BM-8-406-0.5/2t
5t	BM-8-406-5t
500lb-5Klb	BM-8-406-0.5/5K
10Klb	BM-8-406-10K

Features

- Compact structure, easy installation.
- With anti-reversal ability.
- With anti-overloading ability.
- Correct dislocation automatically.

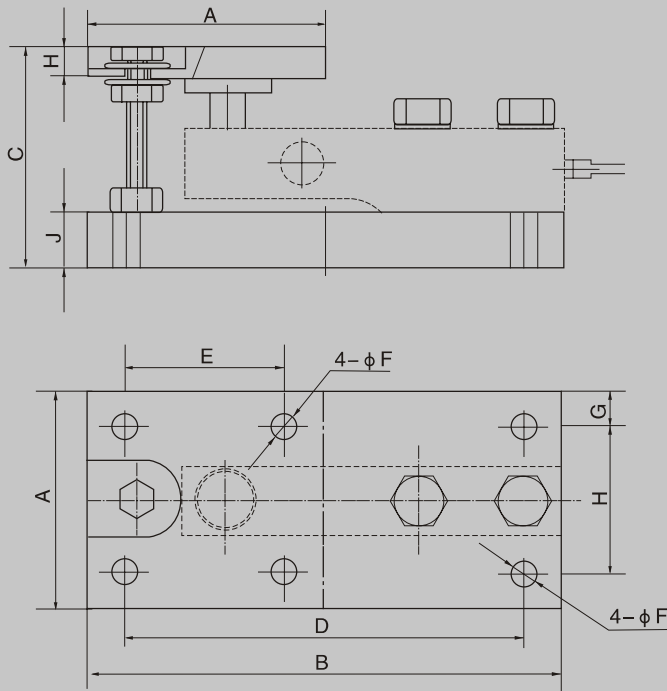


Stainless steel.
Assembled with load cell BM8H, H8H.

Specifications

Capacity	t	0.25-2	5
	Klb	0.5-5	10
Ultimate overload	%FS	150	150
Max. horizontal displacement	mm	±4	±4
Max. Anti-turnover force	KN	10	50
Material	Stainless steel		

Outline Dimension mm (inch)



Capacity	0.25-2t	5t
	Dimension	0.5-5Klb
A	114.3 (4.50)	152.4 (6.0)
B	177.8 (7)	235 (9.25)
C	104.8 (4.13)	136.5 (5.37)
D	152.4 (6)	184.2 (7.25)
E	88.9 (3.50)	101.6 (4.0)
F	11 (0.43)	17.5 (0.69)
H	254 (1.00)	32 (1.26)
J	19 (0.75)	25.4 (1.00)