

Accessory

# BM-8-404

Capacity	Part number
0.5t-2t	BM-8-404-0.5/2t
2.5t-5t	BM-8-404-2.5/5t
1Klb-4Klb	BM-8-404-1/4K
5Klb-10Klb	BM-8-404-5/10K

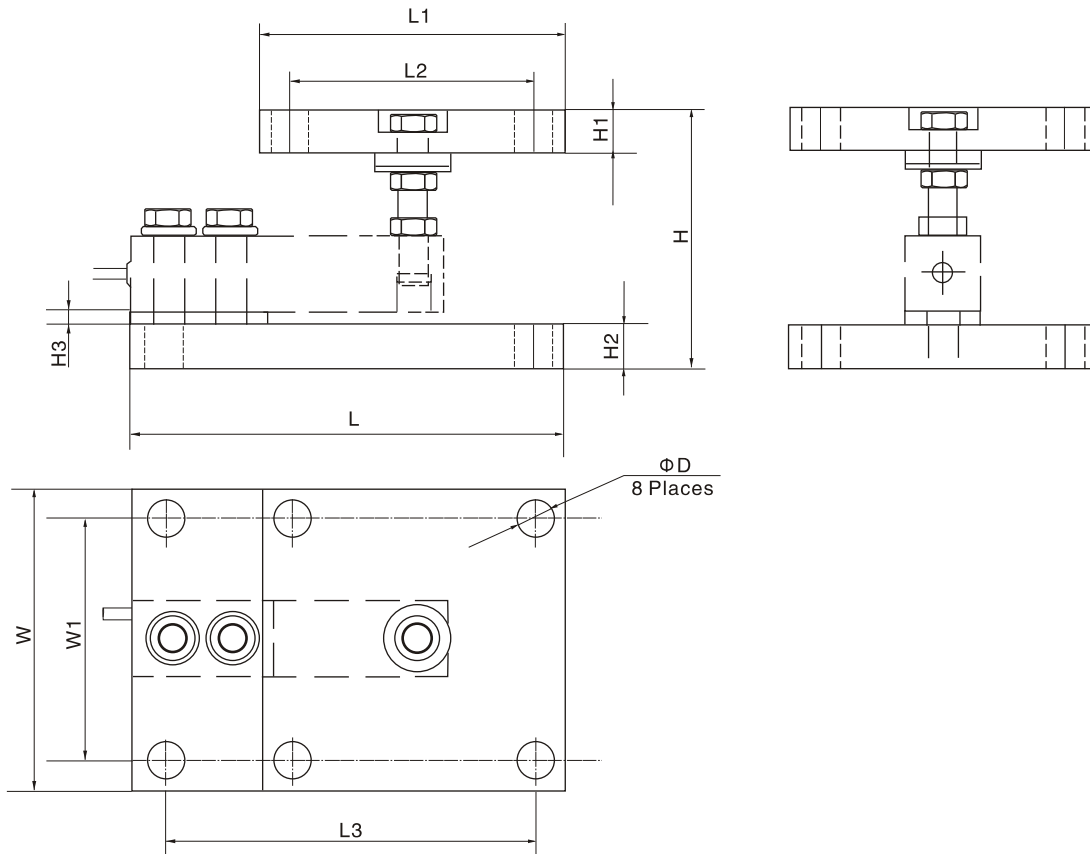
**Features:**

- Compact construction, easy installation
- Adjustable mounting height
- Using under heavy static load or slight dynamic load
- Good ability against corrosive environments



Stainless steel, assembled with: B8D,H8C

Outline Dimension mm(inch)



Dimension Capacity	L	L1	L2	L3	H	H1	H2	H3	W	W1	ΦD
0.5t-2t 1Klb-4Klb	180.9 (7.12)	127 (5.0)	101.6 (5.0)	152.4 (6.0)	100-120 (3.94-4.72)	18 (0.71)	18 (0.71)	6.1 (0.24)	127 (5.0)	101.6 (4.0)	16 (0.63)
2.5t-5t 5Klb-10Klb	215.9 (8.5)	127 (5.0)	101.6 (5.0)	177.8 (7.0)	130-150 (5.12-5.91)	26 (1.02)	26 (1.02)	6.1 (0.24)	127 (5.0)	101.6 (4.0)	16 (0.63)