

- L6N load cells are available in the capacities 3kg~100kg.
- Aluminum construction with parallel beam.
- Silicon adhesive sealed, surface anodized and anti-corrosion.
- Integral structure and easy installation.
- Suitable for electronic balance and other electronic weighing devices.

### Features

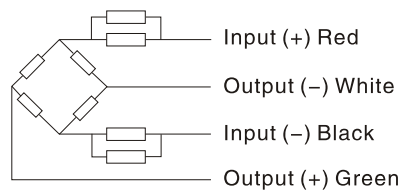
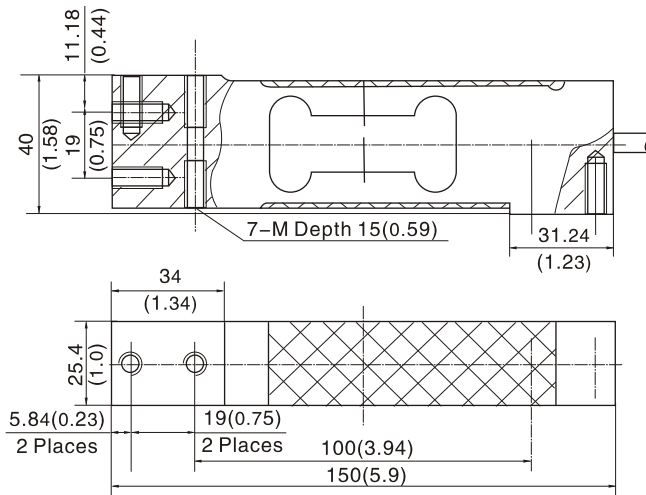
- Capacity: 3kg~100kg
- High accuracy
- Max. Platform size: 400×400mm
- OIML Certificates No:R60/2000-CN1-06.04
- PTB Approval No:D09-06.11



### Specifications

Capacity	kg	50/100/150/200/250/500/750/1000/2000
Accuracy		C3
Approvals		OIML R60 C3
Maximum number of verification intervals	n <sub>max</sub>	3000
Minimum load cell verification interval	v <sub>min</sub>	E <sub>max</sub> /7000
Combined error	(%FS)	≤ ±0.020
Creep	(%FS/30min)	≤ ±0.0167
Temperature effect on sensitivity	(%FS/10°C)	≤ ±0.0175
Temperature effect on zero	(%FS/10°C)	≤ ±0.020
Output sensitivity	(mv/v)	2.0±0.2
Input resistance	(Ω)	394±6
Output resistance	(Ω)	350±3
Insulation resistance	(MΩ)	≥5000(50VDC)
Zero balance	(%FS)	2
Temperature, compensated	(°C)	-10~+40
Temperature, operating	(°C)	-35~+65
Excitation, recommended	(V)	5~12(DC)
Excitation, max	(V)	18(DC)
Safe overload	(%FS)	150
Ultimate overload	(%FS)	300
Corner correction		0.02%load value/100mm

### Outline Dimension mm (inch)



### Wiring:

Adopt a shielded, 4 conductor cable, and cable jacket is PVC.  
Cable length: 3.0 ± 0.05m  
Cable diameter: 5.0 ± 0.2mm