



4-137-0106

Vibration Transducer

Performance Specifications

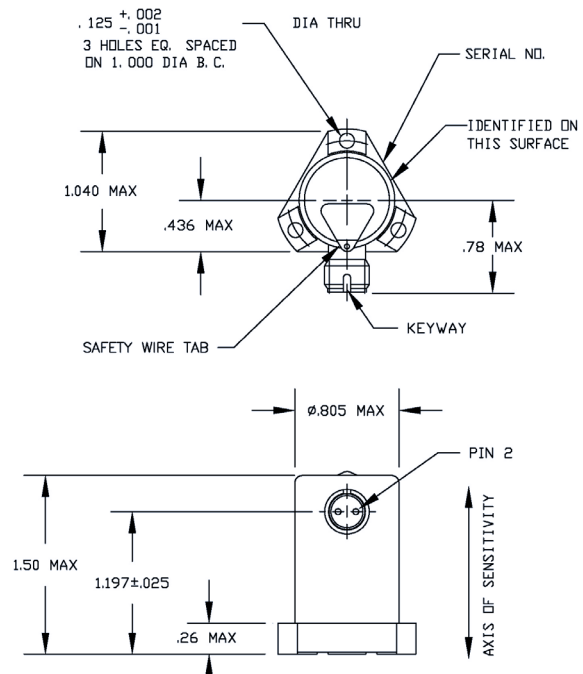
Sensitivity:	105 mV/in/sec $\pm 5\%$ measured at +77°F (+25°C) in the vertical position, with a sinusoidal driving force applied perpendicular to the base at 100 Hz, 1 in/sec RMS (25.4 mm/sec). Load impedance is 10,000 Ω $\pm 2\%$
Dynamic Range	
Frequency:	30 Hz to 1500 Hz
Amplitude:	0.07 inch peak-to-peak max
Acceleration:	1.0 g to 50 g peak
Acceleration Threshold:	1.0 g peak
Frequency Response:	45 Hz to 1500 Hz, $\pm 8\%$ ¹ 30 Hz to 44 Hz, $\pm 10\%$ ¹ ¹ Deviation from measured reference
Linearity:	$\pm 5\%$ of measured reference at 100 Hz, 1 g to 50 g's peak
Position:	$\pm 10\%$ of measured reference at any position other than vertical
Temperature Range	-65°F to +700°F (-54°C to +371°C)
Thermal Coefficient of Sensitivity:	$\pm 0.02\%/^{\circ}\text{F}$ from reference +77°F ($\pm 0.036\%/^{\circ}\text{C}$ from reference +25°C)
Damped Resonant Frequency:	20 Hz
Excitation:	Self-generating
Coil Resistance:	450 Ω $\pm 25\%$
Insulation Resistance:	0.1 megaohm min. at +700°F (+371°C)
Polarity:	Pin 2 is positive when case is moved upward
Shock:	50 g max. in any direction
Sealing:	Hermetically sealed, all welded construction
Weight	2.5 oz. (70.9 g) maximum

Optional Accessories

- P/N 169500-XXXX, High temperature cable and connector assembly (-XXXX = length in inches; e.g.: 60-inch cable is P/N 169500-0060)
- High temperature connector P/N 173960

Ordering Information

Order mating connectors and cable assemblies separately. In keeping with CEC's policy of continuing product improvement, specifications may be changed without notice.



Hazardous Approvals



North America
CSA C/US Class I, Division I, Groups A, B, C and D
Class I, Division 2, Groups A, B, C and D



European
ATEX EEx ia IIB or IIC T6 - T1
EEx nA II T6 - T1 X